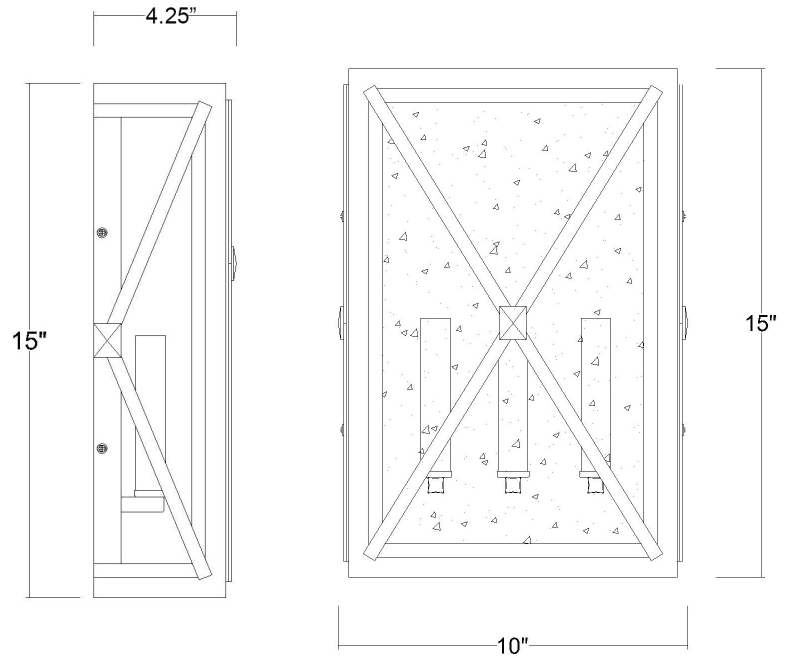


1134ORB

BROOKLYN 3-LIGHT WALL LANTERN



Description:	Brooklyn 3-Light Wall Lantern
Finish:	Oil Rubbed Bronze
Dimensions:	10" W x 15" H x 4-1/4" ext. Height on Center: 7-1/2"
Bulbs:	3-60W Cand.
Installed Weight:	8.15 lbs.
Certification:	cETL / wet location

Material:	Steel and glass
Shades:	NA
Glass:	Clear Water
Back Plate Dimensions:	9-1/2" x 14-3/4"
Chain/Wire:	NA
Additional Finishes:	NA