

INSTALLATION INSTRUCTION

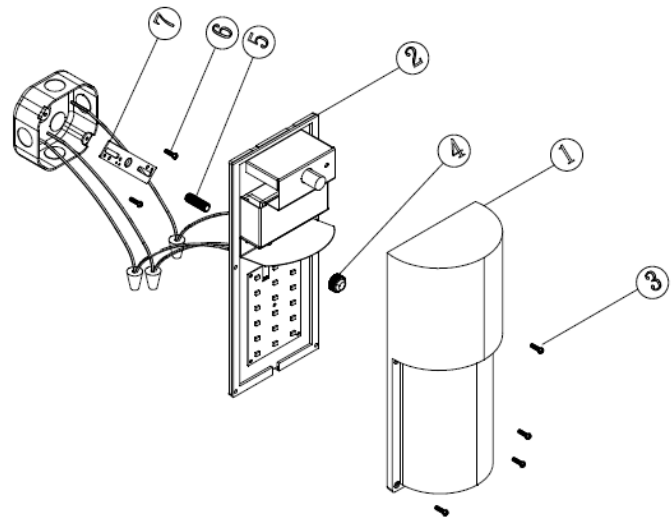
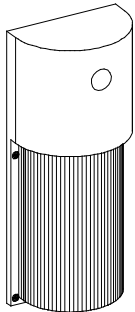
Wall Pack 1421

WARNING

**DISCONNECT POWER DURING INSTALLATION AND BEFORE SERVICING.
READ ALL INSTRUCTIONS COMPLETELY BEFORE STARTING INSTALLATION.**

INSTALLATION:

1. Loosen four screws (3) from the front housing (1), remove it.
2. Secure cross bar (7) to electrical box with screws (6) provided.
3. Insert threaded nipple (5) into cross bar (7).
4. Connect electrical wires at box leads from fixture: black to black, white to white and ground to ground using wire connectors.
5. Carefully tuck wiring into electrical box as you place fixture (2) over threaded nipple (5). Fasten it with cap nut (4).
6. Reinstall the front housing (1) by four screws (3)



IMPORTANT:

To weatherproof your outdoor installation, be sure to use silicone sealant to seal all edges between the fixture housing and the mounting surface.

WARNING:

1. This product must be installed in accordance with the applicable installation code by a person familiar with the construction and operation of the product and the hazards involved.
2. Fixtures are available in 120 to 277 volt input . Please verify before wiring fixture to field wires.