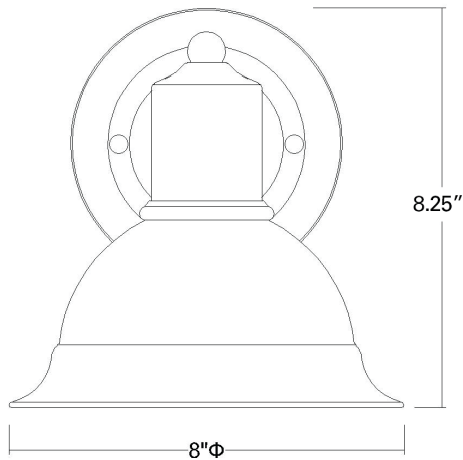


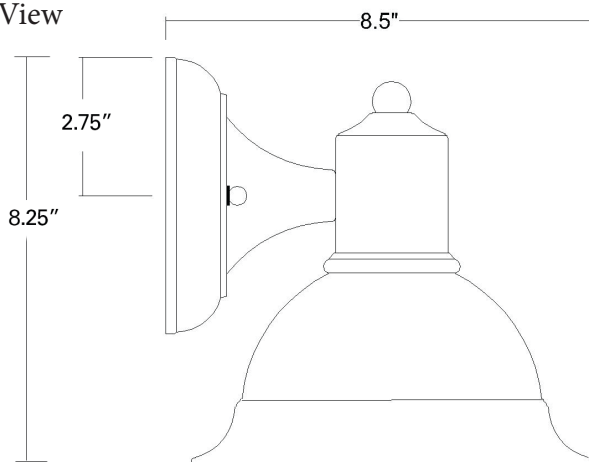
1500ORB

COLTON 1-LIGHT WALL LANTERN

Front View



Side View



Description:	Colton 1-light wall lantern
Finish:	Oil-rubbed bronze
Dimensions:	8" W x 8-1/4" H x 8-1/2" ext. Height on center: 2-3/4"
Bulbs:	1-60w medium
Installed Weight:	1 lb.
Certification:	Wet location / ETL

Material:	Aluminum and brass
Shade:	Aluminum
Glass:	NA
Back Plate Dimensions:	5-1/2" dia.
Chain/Wire:	NA
Additional Finishes:	Matte nickel, matte black and raw brass