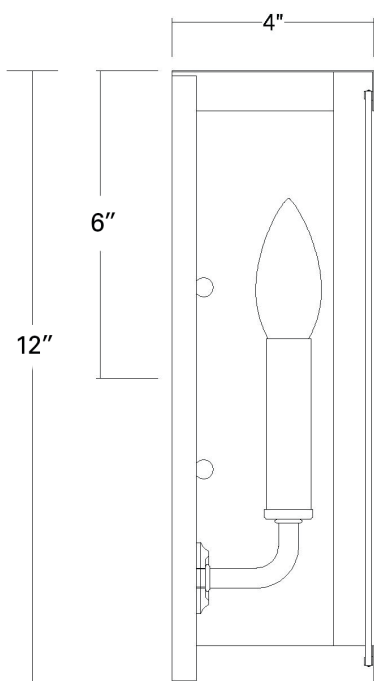


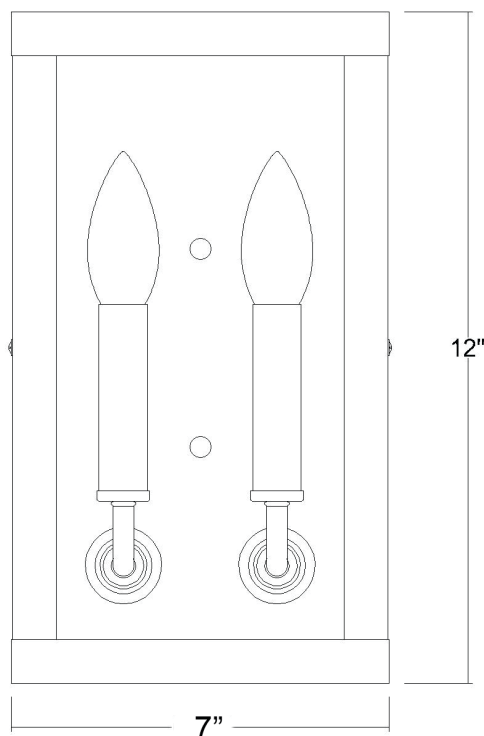
# 1520ORB

## CHARLESTON 2-LIGHT WALL SCONCE

Side View



Front View



<b>Description:</b>	Charleston 2-light wall sconce
<b>Finish:</b>	Oil-rubbed bronze
<b>Dimensions:</b>	7" W x 12" H x 4" ext. Height on center: 6"
<b>Bulbs:</b>	2-60w candelabra
<b>Installed Weight:</b>	4.5 lbs.
<b>Certification:</b>	Wet location / ETL

<b>Material:</b>	Stainless steel and glass
<b>Shade:</b>	NA
<b>Glass:</b>	Clear water glass
<b>Back Plate Dimensions:</b>	6-3/4" x 12"
<b>Chain/Wire:</b>	NA
<b>Additional Finishes:</b>	NA