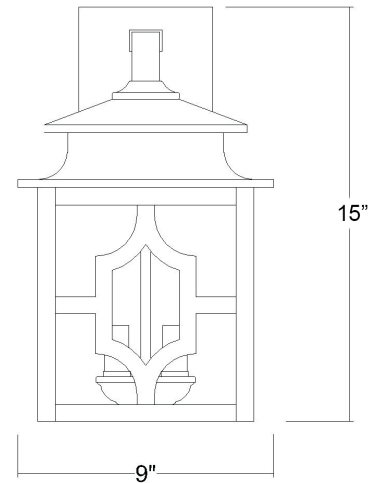
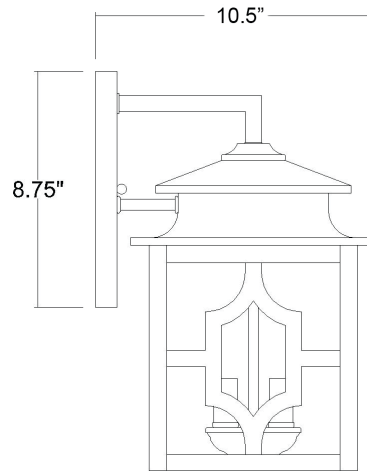


1762ORB

CALVERT 3-LIGHT WALL LANTERN



Description:	Calvert 3-Light Wall Lantern
Finish:	Oil Rubbed Bronze
Dimensions:	9" W x 15" H x 10-1/2" ext. Height on Center: 4-1/2"
Bulbs:	3-60W Cand.
Installed Weight:	8 lbs.
Certification:	cETL / wet location

Material:	Steel and glass
Shades:	NA
Glass:	Clear Seeded
Back Plate Dimensions:	4-3/4" x 8-3/4"
Chain/Wire:	NA
Additional Finishes:	NA