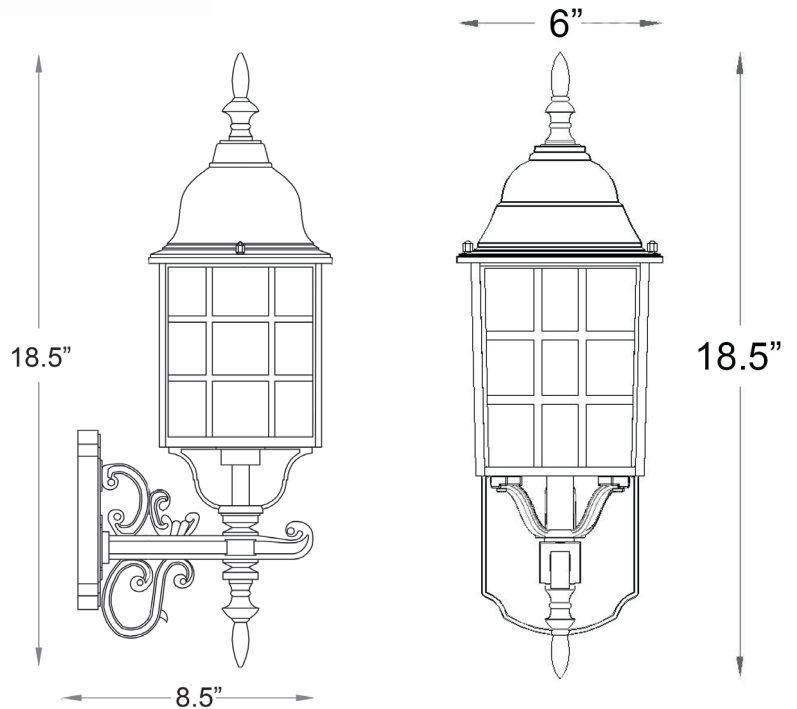


5301BW

NAUTICA 1-LIGHT WALL LANTERN



Description:	Nautica 1-light wall lantern
Finish:	Burl walnut
Dimensions:	6" W x 18-1/2" H x 8-1/2" ext. Height on center: 13"
Bulbs:	1-100w med.
Installed Weight:	3.5 lbs.
Certification:	Wet location / c UL

Material:	Cast aluminum
Shade:	Glass
Glass:	Acid etched
Back Plate Dimensions:	4-1/4" x 7"
Chain/Wire:	NA
Additional Finishes:	Matte black, textured white