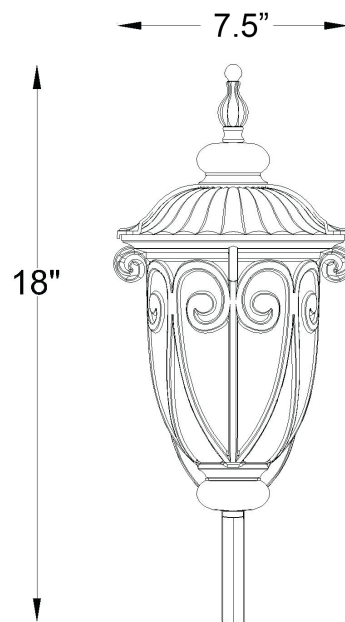


2101BK

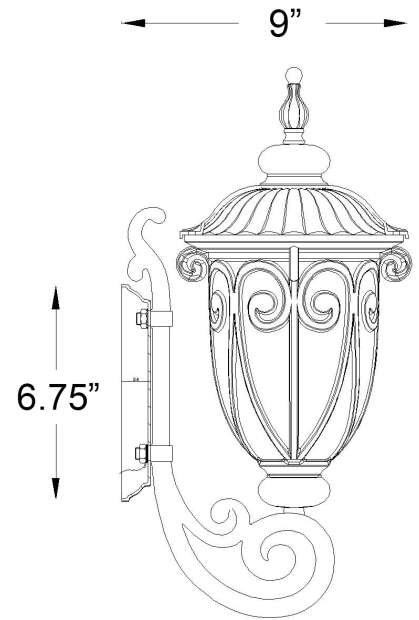
NAPLES 1-LIGHT WALL LANTERN



Front View



Side View



Description:	Naples 1-light wall lantern
Finish:	Matte black
Dimensions:	7-1/2" W x 18" H x 9" ext. Height on center: 10-1/2"
Bulbs:	1-100w med.
Installed Weight:	4.6 lbs.
Certification:	Wet location

Material:	Cast aluminum
Shade:	Glass
Glass:	Clear seeded
Back Plate Dimensions:	5" x 6-3/4"
Chain/Wire:	NA
Additional Finishes:	Marbleized mahogany