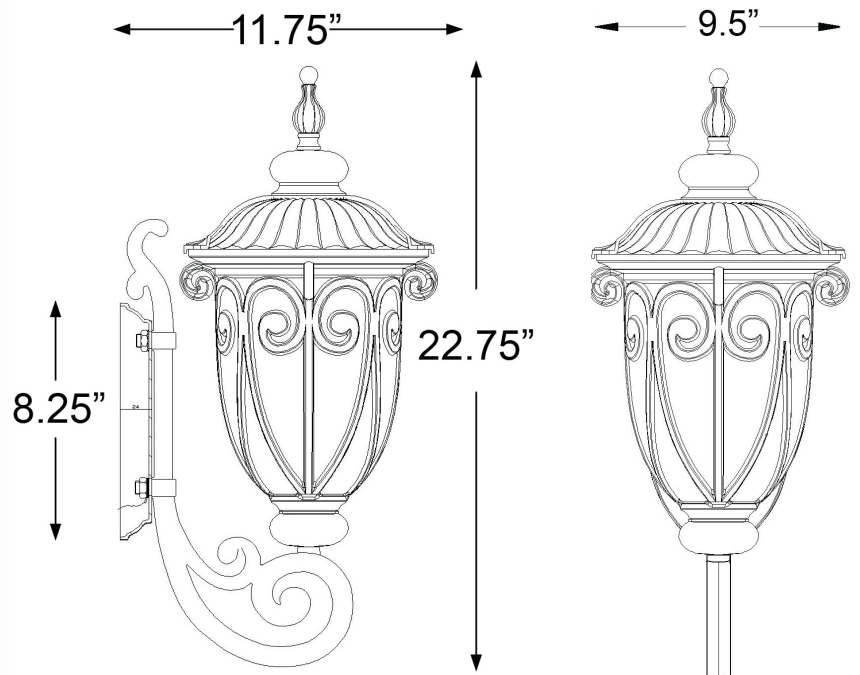


2111BK

NAPLES 1-LIGHT WALL LANTERN



Description:	Naples 1-light wall lantern
Finish:	Matte black
Dimensions:	9-1/2" W x 22-3/4" H x 11-3/4" ext. Height on center: 12-3/4"
Bulbs:	1-100w med.
Installed Weight:	6 lbs.
Certification:	Wet location

Material:	Cast aluminum
Shade:	Glass
Glass:	Clear seeded
Back Plate Dimensions:	5" x 8-1/4"
Chain/Wire:	NA
Additional Finishes:	Marbleized mahogany