

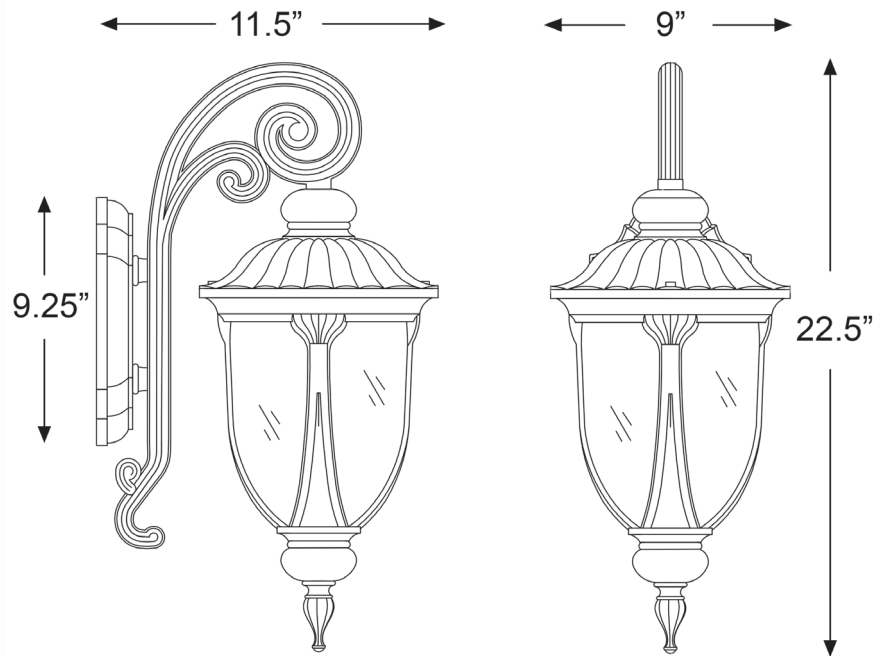
2212BK

LAURENS 1-LIGHT WALL LANTERN



Side View

Front View



Description:	Laurens 1-light wall lantern
Finish:	Matte black
Dimensions:	9" W x 22-1/2" H x 11-1/2" ext. Height on center: 7-3/4"
Bulbs:	1-100w medium
Installed Weight:	6.4 lbs.
Certification:	Wet location / c ETL

Material:	Cast aluminum
Shade:	Glass
Glass:	Clear seeded
Back Plate Dimensions:	5" x 9-1/4"
Chain/Wire:	NA
Additional Finishes:	Black coral