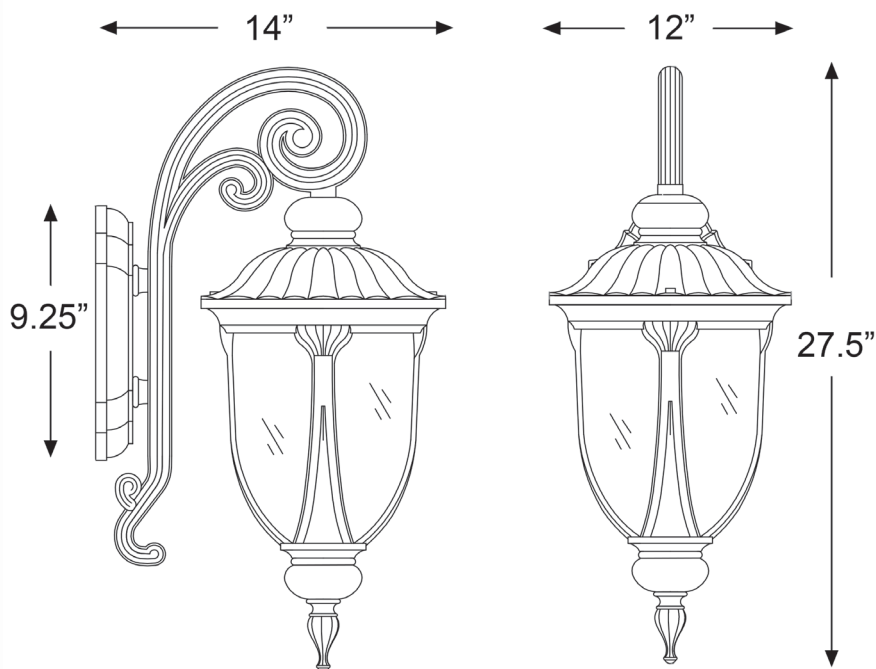


2222BK

LAURENS 3-LIGHT WALL LANTERN



Description:	Laurens 3-light wall lantern
Finish:	Matte black
Dimensions:	12" W x 27-1/2" H x 14" ext. Height on center: 11"
Bulbs:	3-60w cand.
Installed Weight:	9.6 lbs.
Certification:	Wet location / c ETL

Material:	Cast aluminum
Shade:	Glass
Glass:	Clear seeded
Back Plate Dimensions:	5" x 9-1/4"
Chain/Wire:	NA
Additional Finishes:	NA