

INSTALLATION INSTRUCTIONS

Please read carefully and save these instructions, as you may need them at a later date.

CAUTION

WARNING: Risk of Fire. Consult a qualified electrician to ensure correct branch circuit conductor. Min 90°C supply conductors.

Turn off the main power at the circuit breaker before installing the fixture, in order to prevent possible shock.

GENERAL

All electrical connections must be in accordance with local and National Electrical Code (N.E.C.) standards. If you are unfamiliar with proper electrical wiring connections obtain the services of a qualified electrician.

Remove the fixture and the mounting package from the box and make sure that no parts are missing by referencing the illustrations on the installation instructions.

ASSEMBLY AND INSTALLATION

1. Secure the Mounting plate(7) with Box screw(8) to the Outlet box(1).
2. Pull out the outlet wire and ground wire from the Outlet box(1).Make wire connections
--White wire (w/o marking) from light to White wire(2) from power source.
--Black wire (w/o marking) from light to Black wire(3) from power source.
--Loop the Ground wire(4) to Mounting plate(7) with a Green screw(6).
3. Attach the lamp body(10) against the Outlet box(1),secure with the mounting screw(9).
4. Remove screw (12),open cover(14).
5. Install bulbs: (bulbs not included)
(Do not exceed the maximum capacity recommended on the sockets).
6. Put the cover(14) onto lamp body(10), then secure it with screw (12). (See Fig:1)

INSTALLATION IS NOW COMPLETED

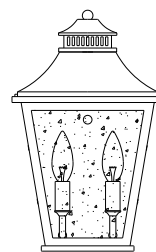
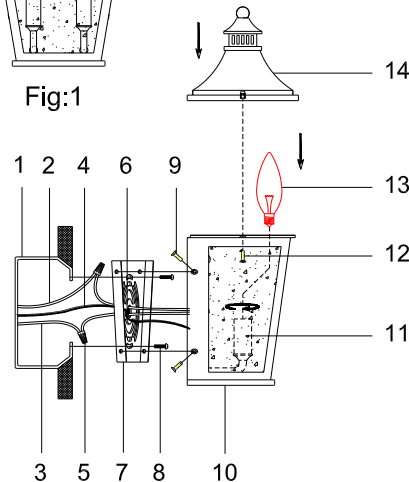


Fig:1



1. OUTLET BOX
2. WHITE WIRE
3. BLACK WIRE
4. GROUND WIRE
5. WIRE CONNECTOR
6. GREEN SCREW
7. MOUNTING PLATE
8. BOX SCREW
9. MOUNTING SCREW
10. LAMP BODY
11. SOCKET
12. SCREW
13. BULB
14. COVER