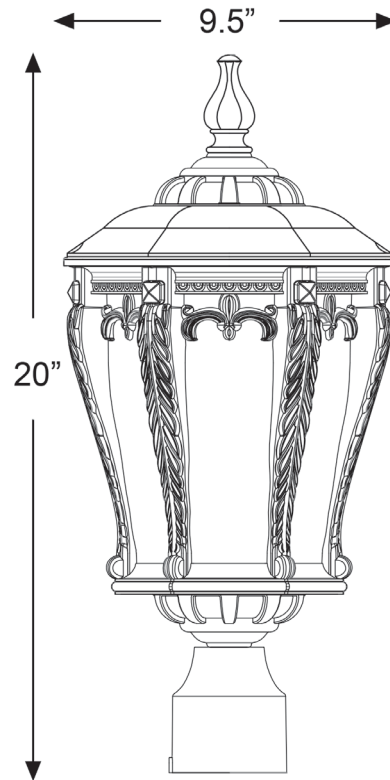


3557ABZ

STRATFORD 1-LIGHT POST LANTERN



Description:	Stratford 1-light post lantern
Finish:	Architectural bronze
Dimensions:	9-1/2" W x 20" H
Bulbs:	1-100w medium
Installed Weight:	4.5 lbs.
Certification:	Wet location / ETL

Material:	Cast aluminum
Shade:	Glass
Glass:	Clear hammered water
Post Dimensions:	3" dia. post fitter
Chain/Wire:	NA
Additional Finishes:	NA