

ACCLAIM LIGHTING

INTERIOR • OUTDOOR

1500 Cherokee Parkway, Suite 100, Acworth, GA 30102

TEL: (866) 845-5451 • FAX: (866) 816-6165

E: service@acclaim-lighting.com • www.acclaim-lighting.com

Post Mount Exterior Fixture Installation and Wiring Instructions



WARNING: To avoid electrical shock. Do not attempt to install the fixture in wet or rainy conditions. Always turn off electrical power at the circuit breaker or by disconnecting the fuse. Only use bulbs in compliance with manufactures specifications.
DO NOT ATTEMPT TO EXCEED MAXIMUM WATTAGE RATING.

TOOLS AND MATERIALS REQUIRED

Blade and or Phillips Head screw driver
Step Ladder (if needed)
Wiring supplires as required by electrical code:
Wire connectors
Electrical tape

UNPACK THE FIXTURE

Check the contents of the box. You should receive:
Outdoor fixture
Mounting Hardware package.

CAUTION

WARNING: Risk of fire.

Before installing your lighting fixture, thoroughly review the section titled **WIRING CONNECTIONS**.

If you do not have sufficient electrical wiring experience, please refer to a do-it-yourself wiring handbook or have your fixture installed by a qualified licensed electrician.

All electrical connections must be in accordance with local and National Electrical Code (NEC) standards.

If you are unfamiliar with proper electrical wiring connections obtain the services of a qualified electrician.

GENERAL

Remove the fixture and the mounting hardware package from the box and make sure that no parts are missing by referencing the illustrations on the installation instructions.

To ensure success of the installation, read these instructions and review the diagrams thoroughly.

Save these instruction for future reference.

This fixture is intended to be mounted to a pier mount adapter or post pole of Dia. 3"

The building structure must directly support the pier mount adapter or post base.

Before starting the installation, disconnect the power by turning off the circuit breaker or by removing the fuse at the fuse box. Turning the power off using the light switch is not sufficient to prevent electrical shock.

WIRING CONNECTIONS

Required supply circuit: 120V, 60Hz.

Connect the white wire from the fixture to the white wire of the supply circuit.

Connect the black wire from the fixture to the black wire of the supply circuit.

Connect the green (or bare copper) colored wire to the grounding conductor of the supply circuit.

Use U.L./CSA listed wire connectors suitable for the size, type, and number of conductors.

No loose strands or loose connections should be present. Secure wire connectors with U.L./CSA listed electrical tape.

WIRING INSTRUCTIONS

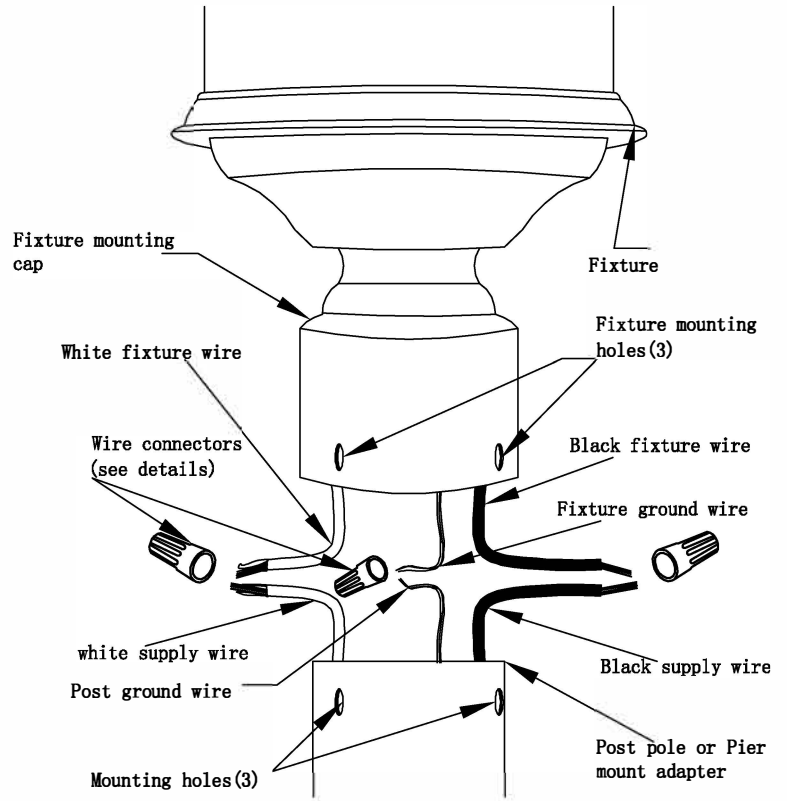
WARNING: DISCONNECT POWER AT THE MAIN ELECTRICAL PANEL BEFORE INSTALLATION.



If you are replacing an existing fixture. Remove and disconnect the old fixture.

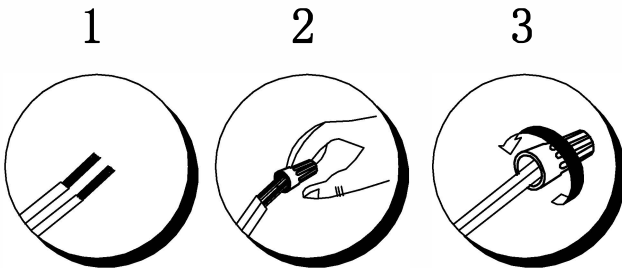
1. Expose the Supply wires from the post.
2. Position Supply wires with the White supply wire on one side of the post, and the Black Supply Wire on the other side of the post.
3. Connect the Fixture Ground wire to the Post Ground wire using Wire Connector.
4. Connect the White Wire from the Fixture to the White Supply Wire from the Post using Wire Connector.
5. Connect the Black Wire from the Fixture to the Black Supply Wire from the Post using Wire Connector.

NOTE: Reference chart for correct connection procedures, and wire accordingly.

Detail 1, 2, 3 show the proper procedure to secure wires with wire connectors.



Connect black or red house wire to:	Connect white house wire to:	White, marked or ridged fixture wire
Black	White	
Parallel cord-SPT I or II (round & smooth)	Parallel cord-SPT I or II (square & ridged)	White supply wire
Clear, Brown, Gold or Black (whitout tracer)	Clear, Brown, Gold or Black (whit tracer)	Black, unmarked or smooth fixture wire
Insulated wire (Other than GREEN) with copper conductor	Insulated wire (Other than GREEN) with silver conductor	
		Black or red supply wire



FIXTURE MOUNTING INSTRUCTIONS

1. After all connections are secure. Carefully tuck wires into the Post or pier mount adapter. No loose strands or loose connections should be present.

2. Slide fixture onto the post or pier mount adapter. Make sure no wires are pinched or exposed. Carefully align Mounting screw holes on the Fixture Post Mounting Cap with Mounting screw holes on the post or pier mount adapter. It may be necessary to twist the Fixture to assure proper alignment.

3. Tighten Mounting screws to hold the Fixture securely in place.

4. Installation is now complete. Restore electricity and check the operation of your lighting Fixture.

