

# CHANDELIER FIXTURE INSTALLATION INSTRUCTIONS #39226

1500 Cherokee Parkway, Suite 100, Acworth, GA 30102  
P: 866-845-5451 • F: 866-816-6165  
E: service@acclaim-lighting.com • www.acclaim-lighting.com

**ACCLAIM**  
LIGHTING  
INTERIOR • OUTDOOR

Please read carefully and save these instructions, as you may need them at a later date.

## CAUTION

**WARNING:** Risk of Fire. Consult a qualified electrician to ensure correct branch circuit conductor. Min 90°C supply conductors.

Turn off the main power at the circuit breaker before installing the fixture, in order to prevent possible shock.

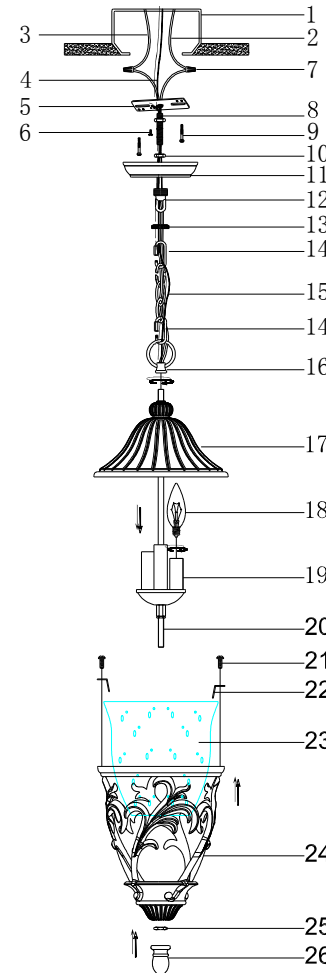
## GENERAL

All electrical connections must be in accordance with local and National Electrical Code (N.E.C.) standards. If you are unfamiliar with proper electrical wiring connections obtain the services of a qualified electrician.

Remove the fixture and the mounting package from the box and make sure that no parts are missing by referencing the illustrations on the installation instructions.

## ASSEMBLY AND INSTALLATION

1. Secure loop (16) to nipple on top of the cover (17).
2. Screw the Nipple(8) with the Hex nut(10) to the Mounting bar(5). Attach Mounting Bar(5) to the Outlet box(1) by the Box screw(9). Screw the Collar loop(12) to the Nipple (8).
3. Link the chain (15) using the adjustable link(14) onto the fixture. Slide the Collar ring(13) and Canopy(11) through the chain link the other end of chain onto the Collar loop(12). Weave the fixture wire and ground wire through the chain to the outlet box.
4. Pull out the outlet wire and ground wire from the Outlet box(1). Make wire connections  
--Ribbed wire (w/o marking) from light to White wire(2) from power source.  
--Smooth wire (w/o marking) from light to Black wire(3) from power source.  
--Loop the Ground wire(4) to Mounting bar(5) with a Green screw(6).
5. Install bulbs: (bulbs not included)  
(Do not exceed the maximum capacity recommended on the sockets).
6. Insert glass shade(23) into lamp body(24), then lock the lamp body and clip(22) with screw (21).
7. Put the lamp body (24) into nipple(20), then secure it with nut (25) and finial (26).



1. OUTLET BOX
2. WHITE WIRE
3. BLACK WIRE
4. GROUND WIRE
5. MOUNTING BAR
6. GREEN SCREW
7. WIRE CONNECTOR
8. NIPPLE
9. BOX SCREW
10. HEX NUT
11. CANOPY
12. COLLAR LOOP
13. COLLAR RING
14. ADJUSTABLE LINK
15. CHAIN
16. LOOP
17. COVER
18. BULB
19. SOCKET
20. NIPPLE
21. SCREW
22. CLIP
23. GLASS SHADE
24. LAMP BODY
25. NUT
26. FINIAL

INSTALLATION IS NOW COMPLETED