

INSTALLATION INSTRUCTIONS

39522

1500 Cherokee Parkway, Suite 100, Acworth, GA 30102
P: 866-845-5451 • F: 866-816-6165
E: service@acclaim-lighting.com • www.acclaim-lighting.com

ACCLAIM
LIGHTING
INTERIOR • OUTDOOR

Please read carefully and save these instructions, as you may need them at a later date.

CAUTION

WARNING: Risk of Fire. Consult a qualified electrician to ensure correct branch circuit conductor. Min 90°C supply conductors.

Turn off the main power at the circuit breaker before installing the fixture, in order to prevent possible shock.

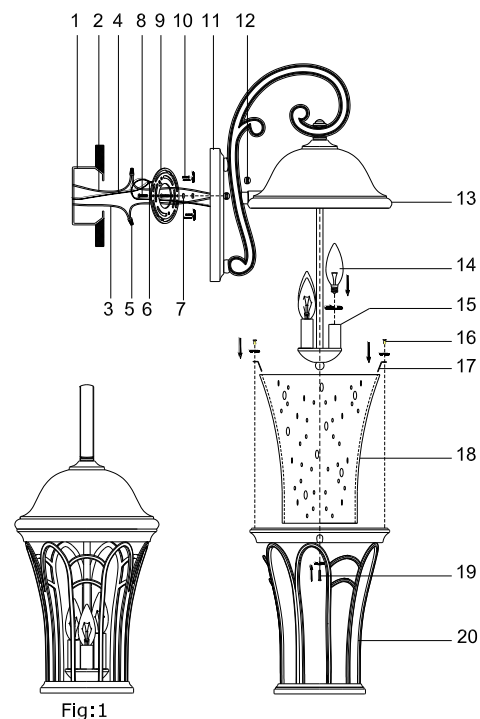
GENERAL

All electrical connections must be in accordance with local and National Electrical Code (N.E.C.) standards. If you are unfamiliar with proper electrical wiring connections obtain the services of a qualified electrician.

Remove the fixture and the mounting package from the box and make sure that no parts are missing by referencing the illustrations on the installation instructions.

ASSEMBLY AND INSTALLATION

1. Thread two Mounting Screws(8) to the round Mounting strap(9) and secure with the Hex nut(7).
2. Secure the round Mounting strap(9) with Box screw(10) to the Outlet box(1).
3. Pull out the outlet wire and ground wire from the Outlet box(1).Make wire connections
--White wire (w/o marking) from light to White wire(2) from outlet box (1).
--Black wire (w/o marking) from light to Black wire(3) from outlet box (1).
--Loop the Ground wire(4) to round Mounting strap(9) with a ground screw(6)
4. Attach the Back plate(11) against the Outlet box(1),secure with the Ball nut(12)
5. Install bulbs: (bulbs not include)
(Please don't exceed the maximum capacity that recommended on the sockets).
6. Insert glass shade(18) into cage(20),then secure the glass shade with the cage together by the glass clip(17)with screw (16)
7. Put the cage(20)into top cap(13), then secure it with long screw(19) (See Fig:1)



1. OUTLET BOX
2. WHITE WIRE
3. BLACK WIRE
4. GROUND WIRE
5. WIRE CONNECTOR
6. GROUND SCREW
7. HEX NUT
8. MOUNTING SCREW
9. ROUND MOUNTING STRAP
10. BOX SCREW
11. BACK PLATE
12. BALL NUT
13. TOP CAP
14. BULB
15. SOCKET
16. SCREW
17. GLASS CLIP
18. GLASS SHADE
19. LONG SCREW
20. CAGE

INSTALLATION IS NOW COMPLETED