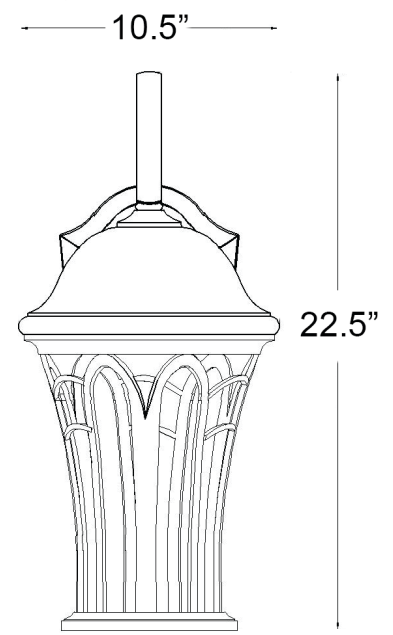
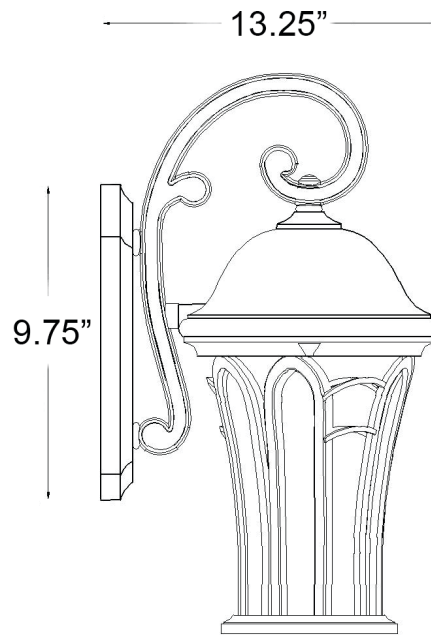


# 39522ABZ

## HIGHGATE 3-LIGHT WALL LANTERN



<b>Description:</b>	Highgate 3-light wall lantern
<b>Finish:</b>	Architectural bronze
<b>Dimensions:</b>	10-1/2" W x 22-1/2" H x 13-1/4" ext. Height on center: 9"
<b>Bulbs:</b>	3-60w cand.
<b>Installed Weight:</b>	6.8 lbs.
<b>Certification:</b>	Wet location / c ETL

<b>Material:</b>	MarbleX®
<b>Glass:</b>	Clear seeded
<b>Back Plate Dimensions:</b>	5-1/2" x 9-3/4"
<b>Chain/Wire:</b>	NA
<b>Additional Finishes:</b>	Black coral