

CHANDELIER FIXTURE INSTALLATION INSTRUCTIONS

1500 Cherokee Parkway, Suite 100, Acworth, GA 30102
P: 866-845-5451 • F: 866-816-6165
E: service@acclaim-lighting.com • www.acclaim-lighting.com

ACCLAIM
LIGHTING
INTERIOR • OUTDOOR

Please read carefully and save these instructions, as you may need them at a later date.

CAUTION

WARNING: Risk of Fire. Consult a qualified electrician to ensure correct branch circuit conductor. Min 90°C supply conductors.

Turn off the main power at the circuit breaker before installing the fixture, in order to prevent possible shock.

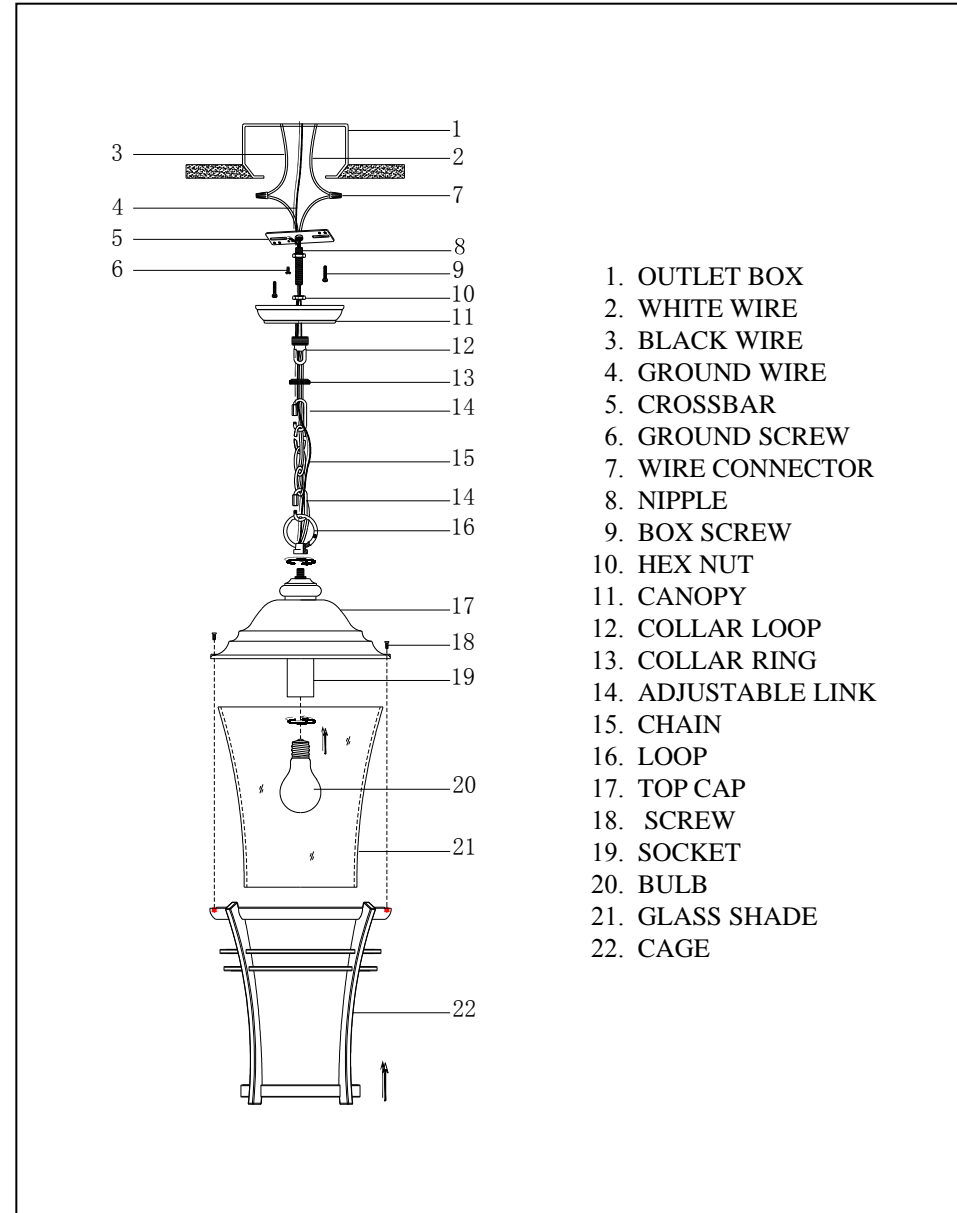
GENERAL

All electrical connections must be in accordance with local and National Electrical Code (N.E.C.) standards. If you are unfamiliar with proper electrical wiring connections obtain the services of a qualified electrician.

Remove the fixture and the mounting package from the box and make sure that no parts are missing by referencing the illustrations on the installation instructions.

ASSEMBLY AND INSTALLATION

1. Screw the Nipple(8) with the Hex nut(10) to the Crossbar(5). Attach Crossbar (5) to the Outlet box(1) by the Box screw(9). Screw the Collar loop(12) to the Nipple (8).
2. Link the chain (15) using the adjustable link(14) onto the fixture. Slide the Collar ring(13) and Canopy(11) through the chain link the other end of chain onto the Collar loop(12). Weave the fixture wire and ground wire through the chain to the outlet box.
3. Pull out the outlet wire and ground wire from the Outlet box(1). Make wire connections
--Ribbed wire (w/o marking) from light to White wire(2) from outlet box(1).
--Smooth wire (w/o marking) from light to Black wire(3) from outlet box(1) .
--Loop the Ground wire(4) to crossbar(5) with a Ground screw(6)
4. Install bulb: (bulb not included)
(Do not exceed the maximum capacity recommended on the sockets).
5. Insert glass shade(21) into cage(22).
6. Put the cage(22) into top cap(17), then secure it with screw(18).



INSTALLATION IS NOW COMPLETED