

Fig. 1

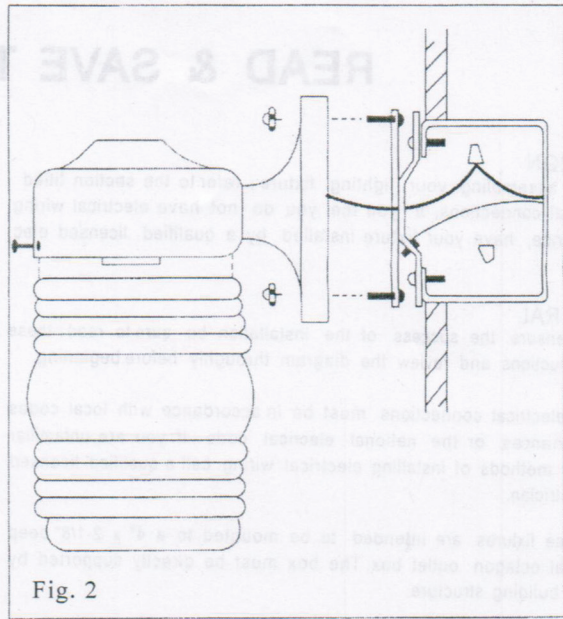


Fig. 2

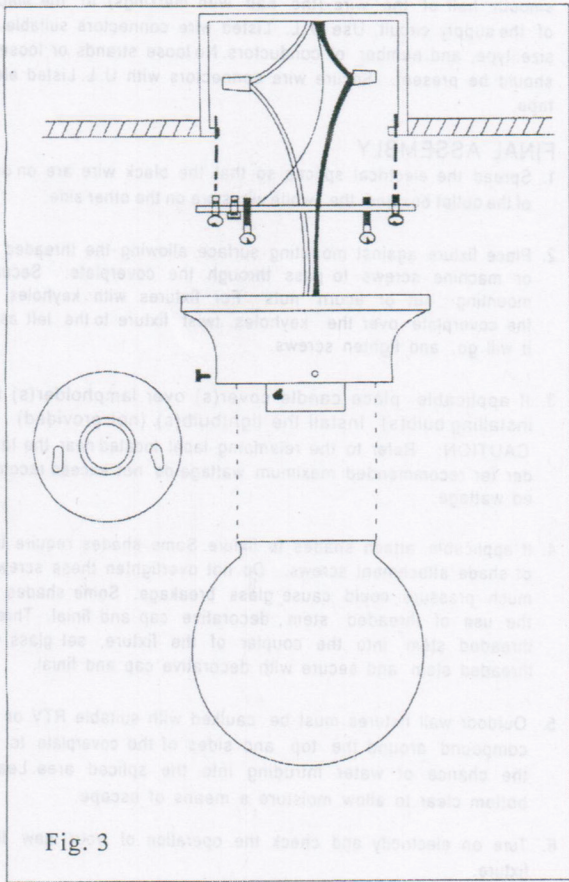


Fig. 3

NOTE: The above diagram illustrates the installation of your new Lighting fixture. This is a representative drawing and is not intended to match the style of your fixture.

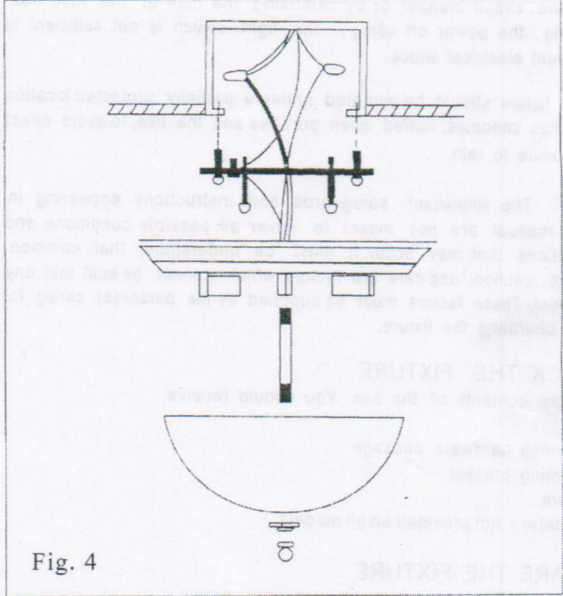


Fig. 4

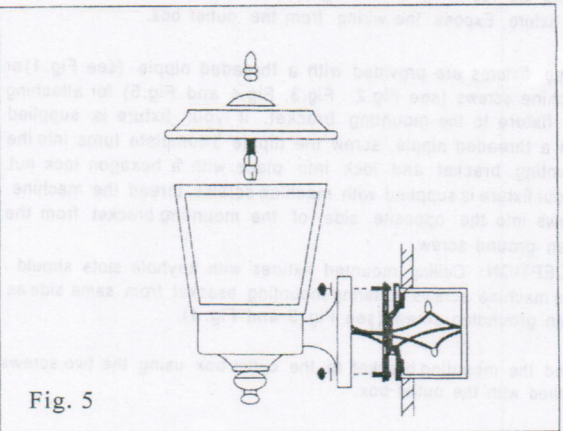


Fig. 5



1500 Cherokee Parkway, Suite 100, Acworth, GA 30102  
 P: (866) 845-5451 F: (866) 816-6165 www.acclaim-lighting.com  
 Email: service@acclaim-lighting.com

# READ & SAVE THESE INSTRUCTIONS

## CAUTION

Before assembling your lighting fixture, refer to the section titled electrical connections, if you feel you do not have electrical wiring experience, have your fixture installed by a qualified licensed electrician.

## GENERAL

1. To ensure the success of the installation be sure to read these instructions and review the diagram thoroughly before beginning.
2. All electrical connections must be in accordance with local codes ordinances, or the national electrical code. If you are unfamiliar with methods of installing electrical wiring, call a qualified licensed electrician.
3. These fixtures are intended to be mounted to a 4" x 2-1/8" deep metal octagon outlet box. The box must be directly supported by the building structure.
4. Before starting the installation, disconnect the power by turning off the circuit breaker or by removing the fuse at the fuse box. Turning the power off using the light switch is not sufficient to prevent electrical shock.
5. This fixture should be mounted under a partially protected location such as canopies, roofed open porches and the like, to avoid direct exposure to rain.

**NOTE:** The important safeguards and instructions appearing in this manual are not meant to cover all possible conditions and situations that may occur. It must be understood that common sense, caution, and care are factors which cannot be built into any product. These factors must be supplied by the person(s) caring for and operating the fixture.

## UNPACK THE FIXTURE

Check the contents of the box. You should receive.

- Mounting hardware package
- Mounting bracket
- Fixture
- Shade(s) - not provided on all models.

## PREPARE THE FIXTURE

### NOTE: FIRST TURN OFF ELECTRICITY

1. If you are replacing an existing fixture, disconnect and remove the old fixture. Expose the wiring from the outlet box.
2. Some fixtures are provided with a threaded nipple (see Fig. 1) or machine screws (see Fig. 2, Fig. 3, Fig. 4 and Fig. 5) for attaching the fixture to the mounting bracket. If your fixture is supplied with a threaded nipple, screw the nipple 3 complete turns into the mounting bracket and lock into place with a hexagon lock nut. If your fixture is supplied with machine screws, thread the machine screws into the opposite side of the mounting bracket from the green ground screw.  
**EXCEPTION:** Ceiling mounted fixtures with keyhole slots should have machine screws entering mounting bracket from same side as green grounding screw (see Fig. 3 and Fig. 4).
3. Fasten the mounting bracket to the outlet box using the two screws supplied with the outlet box.

4. Attach grounding wire (green or bare copper) from the supply circuit to the mounting bracket with the green grounding attachment screw provided. Some models have a grounding wire attached to the fixture. For models that employ a green or bare copper grounding wire, it will be necessary to connect the green or bare grounding wire to the grounding conductor of the supply circuit. Attach all grounding conductors to the mounting bracket with the green grounding attachment screw.

5. Make electrical connections - SEE BELOW

## ELECTRICAL CONNECTIONS

To make electrical connections:

Connect the white wire(s) from the fixture to the white wire of the supply circuit. Connect the black wire(s) from the fixture to the black wire of the supply circuit. Connect the green (or bare copper) colored wire to the grounding conductor of the supply circuit. If your fixture is supplied with an SPT Cord connect the half of the SPT Cord that is ribbed surface to the white wire of the supply circuit. Connect the smooth half of the wire (the half with markings) to the black wire of the supply circuit. Use U.L. Listed wire connectors suitable for the size, type, and number of conductors. No loose strands or loose wires should be present. Secure wire connectors with U.L. Listed electrical tape.

## FINAL ASSEMBLY

1. Spread the electrical splices so that the black wire are on one side of the outlet box and the white wires are on the other side.
2. Place fixture against mounting surface allowing the threaded nipple or machine screws to pass through the coverplate. Secure with mounting nut or acorn nuts. For fixtures with keyholes, place the coverplate over the keyholes. Twist fixture to the left as far as it will go and tighten screws.
3. If applicable place candle cover(s) over lampholder(s) before installing bulb(s). Install the lightbulb(s). (not provided).  
**CAUTION:** Refer to the relamping label located near the lampholder for recommended maximum wattage-do not exceed recommended wattage.
4. If applicable attach shades to fixture. Some shades require the use of shade attachment screws. Do not overtighten these screws - too much pressure could cause glass breakage. Some shades require the use of threaded stem, decorative cap and finial. Thread the threaded stem into the coupler of the fixture, set glass on the threaded stem and secure with decorative cap and finial.
5. Outdoor wall fixtures must be caulked with suitable RTV or Silicon compound around the top and sides of the coverplate to reduce the chance of water intruding into the spliced area. Leave the bottom clear to allow moisture a means of escape.
6. Turn on electricity and check the operation of your new lighting fixture.

**NOTE:** BE SURE TO USE THE CROSS-BAR MOUNTING SCREWS TOGETHER WITH THE ATTACHED STAR WASHERS TO PENETRATE THE PAINT ON THE CANOPY SURFACE TO COMPLETE THE GROUNDING CIRCUIT.



1500 Cherokee Parkway, Suite 100, Acworth, GA 30102

P: (866) 845-5451 F: (866) 816-6165 [www.acclaim-lighting.com](http://www.acclaim-lighting.com)

Email: [service@acclaim-lighting.com](mailto:service@acclaim-lighting.com)