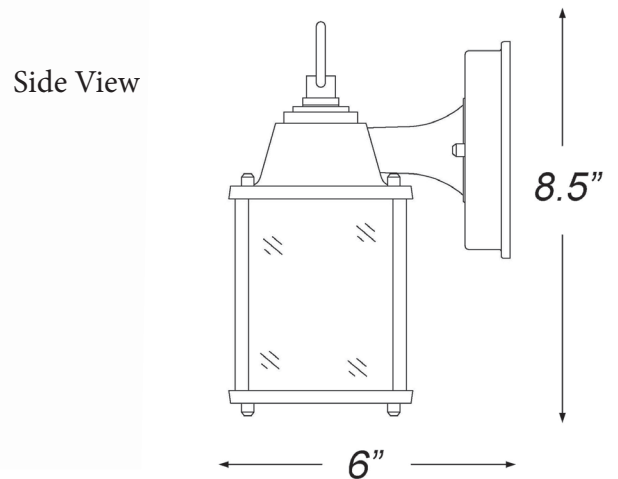
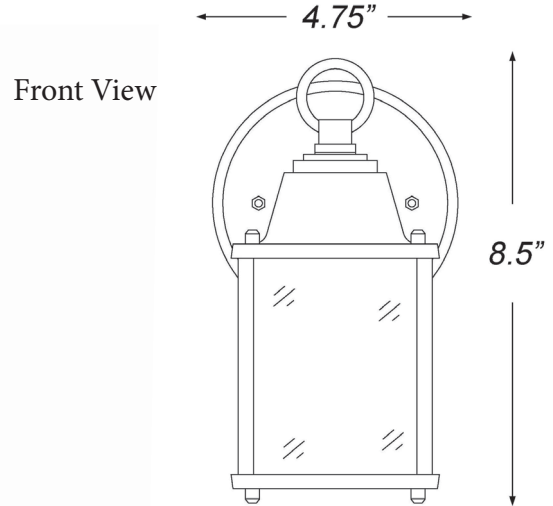


# 5001BK

## BUILDERS' CHOICE 1-LIGHT WALL LANTERN



<b>Description:</b>	Builders' Choice 1-light wall lantern
<b>Finish:</b>	Matte black
<b>Dimensions:</b>	4-3/4" W x 8-1/2" H x 6" ext. Height on center: 2-1/2"
<b>Bulbs:</b>	1-100w Med.
<b>Installed Weight:</b>	1.3#
<b>Certification:</b>	Wet location / c UL

<b>Material:</b>	Cast aluminum and glass
<b>Glass:</b>	Clear beveled
<b>Back Plate Dimensions:</b>	4-3/4" dia.
<b>Chain/Wire:</b>	NA
<b>Additional Finishes:</b>	Burled walnut and textured white