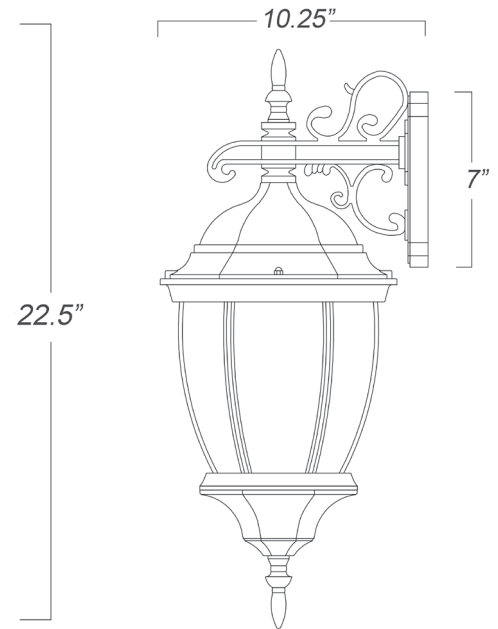
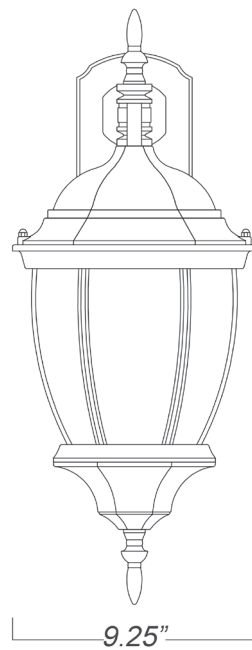


# 5012BK

## WEXFORD 3-LIGHT WALL LANTERN



<b>Description:</b>	Wexford 3-light wall lantern
<b>Finish:</b>	Matte black
<b>Dimensions:</b>	9-1/4" W x 22-1/2" H x 10-1/4" ext. Height on center: 4-1/2"
<b>Bulbs:</b>	3-60w cand.
<b>Installed Weight:</b>	4 lbs.
<b>Certification:</b>	Wet location / c UL

<b>Material:</b>	Cast aluminum
<b>Shade:</b>	Glass
<b>Glass:</b>	Clear beveled
<b>Back Plate Dimensions:</b>	4-1/2" x 7"
<b>Chain/Wire:</b>	NA
<b>Additional Finishes:</b>	Burled walnut