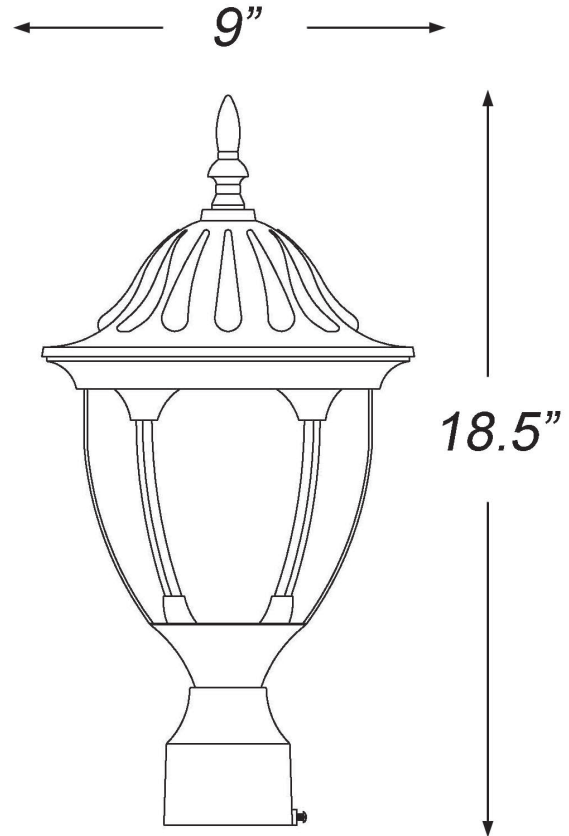


5067BW

SUFFOLK 1-LIGHT POST LANTERN



Description:	Suffolk 1-light post lantern
Finish:	Burl walnut
Dimensions:	9" W x 18-1/2" H
Bulbs:	1-100w Med.
Installed Weight:	2.85 lbs.
Certification:	Wet location

Material:	Cast aluminum and glass
Glass:	Clear seeded
Post Dimensions:	3" dia. post fitter
Chain/Wire:	NA
Additional Finishes:	Textured white and matte black