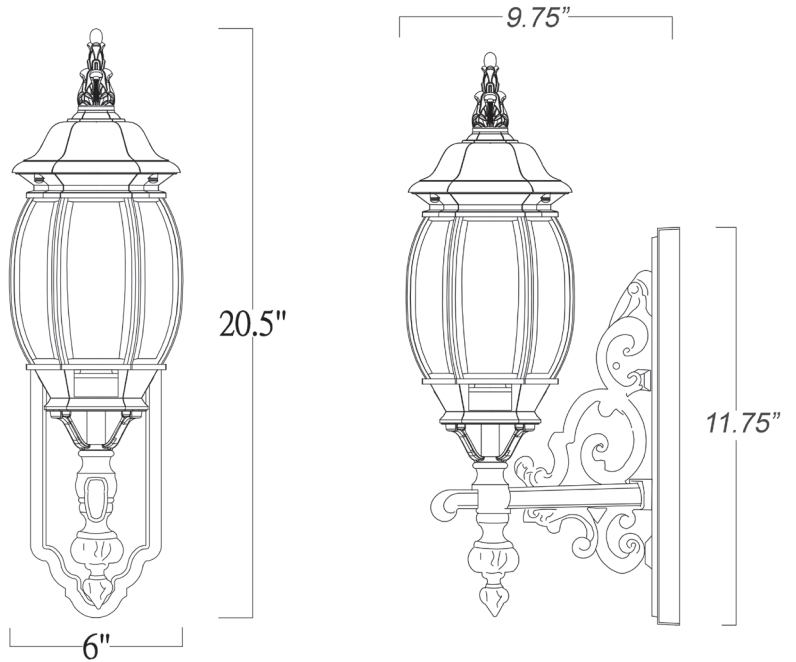


5150BK

CHATEAU 1-LIGHT WALL LANTERN



Description:	Chateau 1-light wall lantern
Finish:	Matte black
Dimensions:	6" W x 20-1/2" H x 9-3/4" ext. Height on center: 13"
Bulbs:	1-100w Med.
Installed Weight:	4 lbs.
Certification:	Wet location / c UL

Material:	Cast aluminum and glass
Glass:	Clear beveled
Back Plate Dimensions:	4-3/4" x 11-3/4"
Chain/Wire:	NA
Additional Finishes:	Textured white