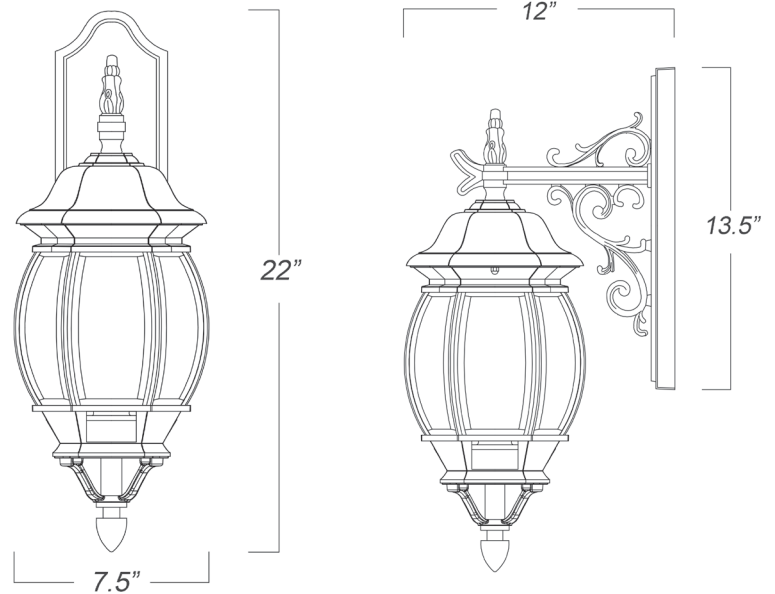


5152BK

CHATEAU 3-LIGHT WALL LANTERN



Description:	Chateau 3-light wall lantern
Finish:	Matte black
Dimensions:	7-1/2" W x 22" H x 12" ext. Height on center: 4"
Bulbs:	3-60w Cand.
Installed Weight:	4.25 lbs.
Certification:	Wet location / c UL

Material:	Cast aluminum and glass
Glass:	Clear beveled
Back Plate Dimensions:	4-1/2" x 13-1/2"
Chain/Wire:	NA
Additional Finishes:	Burled walnut