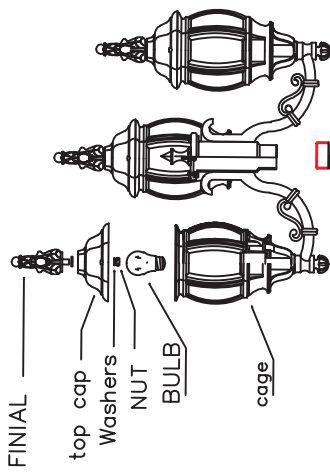


5179 ASSEMBLY INSTRUCTIONS

READ & SAVE INSTALLATION & OPERATION INSTRUCTIONS

TOOLS & MATERIALS REQUIRED

- Adjustable Wrench
- Phillips Head screwdriver
- Wire Cutters
- Wiring cutters
- Pre-mixed concrete (for soft ground installation)
- Wiring supplies as required by Electrical Code



CAUTION

Before assembling your lighting fixture, refer to the section titled **ELECTRICAL CONNECTIONS**. If you feel you do not have enough electrical wiring experience, refer to a do-it-yourself wiring handbook or have your fixture installed by a qualified licensed electrician.

GENERAL

1. To ensure the success of the installation, be sure to read these instructions thoroughly before beginning.
2. All electrical connections must be in accordance with local codes, ordinances, or the National Electrical Code. If you are unfamiliar with methods of installing electrical wiring, secure the services of a qualified licensed electrician.
3. Before starting the installation, disconnect the power by turning off the circuit breaker or by removing appropriate fuse at fuse box. Turning the power off at the light switch is not sufficient to prevent electrical shock.

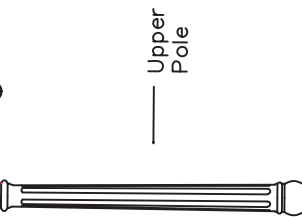
UNPACK THE FIXTURE

Check the contents of the box. You should receive:

- Base
- Lower & upper stem
- Mounting hardware package
- Fixture assembly (s)

— Upper Pole

— Middle Pole



PREPARE THE FIXTURE

NOTE: First turn off electricity.

1. Thread the 3 "J" bolts into the mounting plate so they protrude 1-1/2 inches through the opposite side of the mounting plate. Set the mounting plate assembly with the "J" bolts down into wet concrete, making sure it is level and anchored securely. Make sure the electrical supply wiring is long enough to pass through the length of the pole sections up to the connection of the fixture assembly. Allow concrete 24 hours to cure prior to installation of the fixture.
2. Pass the supply wiring through the base, lower stem and upper stem.
3. Make electrical connections - SEE BELOW.

ELECTRICAL CONNECTIONS 120V ~, 60Hz

1. Connect the white wire(s) from the fixture to the white wire of the supply circuit. Connect the black wire(s) from the fixture to the black wire of the supply circuit. Connect the green (or bare copper) colored wire to the grounding conductor of the supply circuit.
2. Use U.L./CSA Listed wire connects suitable for the size, type, and number of conductors.
3. No loose strands or loose connectors wires should be present.

FINAL ASSEMBLY

1. Install bulb: (not included)
CAUTION - Refer to the relamping label located near lampholder for recommended maximum wattage. Do not exceed recommended wattage.
2. Place the top covers on the lamp bodies and secure them with decorative nuts.
3. Put the exposed wiring into upper stem carefully. Turn the upper stem to the fixture assembly until tight.
4. Thread the lower stem into upper stem.
5. Thread the lower stem into the base.
6. Place the whole fixture assembly on the mounting plate and secure with spring washers and decorative nuts provided.
7. Use the weather resistant caulk to seal around the side perimeter of the base.
8. Restore electricity and check the operation of your lighting fixture.

Screw

— Base

