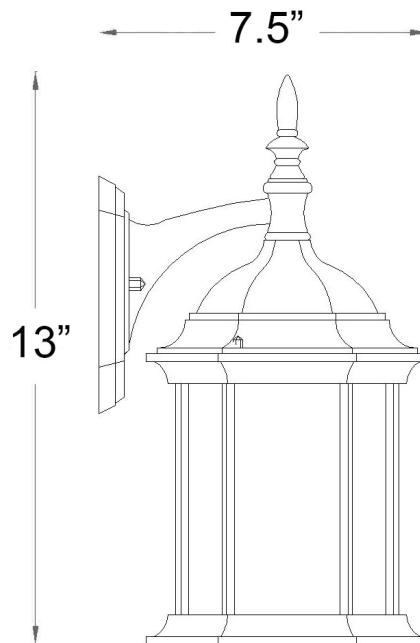


5182BK

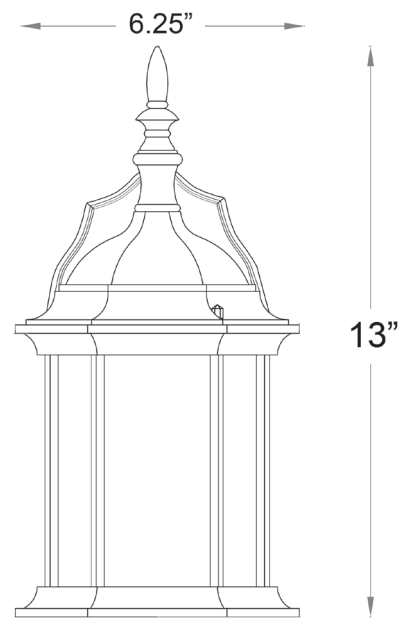
CRAFTSMAN 2 1-LIGHT WALL LANTERN



Side View



Front View



Description:	Craftsman 2 1-light wall lantern
Finish:	Matte black
Dimensions:	6-1/4" W x 13" H x 7-1/2" ext. Height on center: 4-1/2"
Bulbs:	1-100w Med.
Installed Weight:	2 lbs.
Certification:	Wet location / c UL

Material:	Cast aluminum and glass
Glass:	Clear beveled
Back Plate Dimensions:	4-1/2" x 6"
Chain/Wire:	NA
Additional Finishes:	Textured white