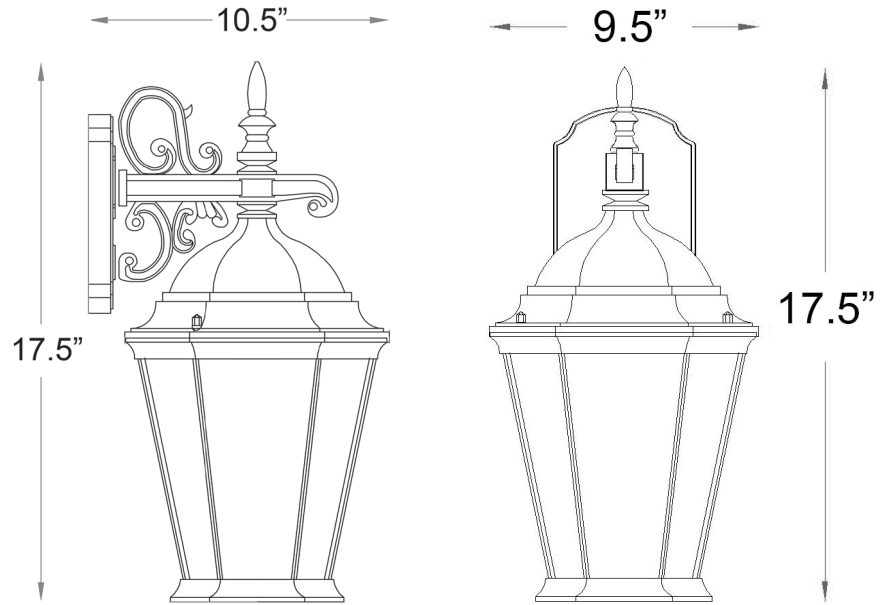


5202BK/FR

RICHMOND 1-LIGHT WALL LANTERN



Description:	Richmond 1-light wall lantern
Finish:	Matte black
Dimensions:	9-1/2" W x 17-1/2" H x 10-1/2" ext. Height on center: 4-3/4"
Bulbs:	1-100w medium
Installed Weight:	3.5 lbs.
Certification:	Wet location

Material:	Cast aluminum
Shade:	Glass
Glass:	Frosted
Back Plate Dimensions:	4-1/4" x 7"
Chain/Wire:	NA
Additional Finishes:	NA