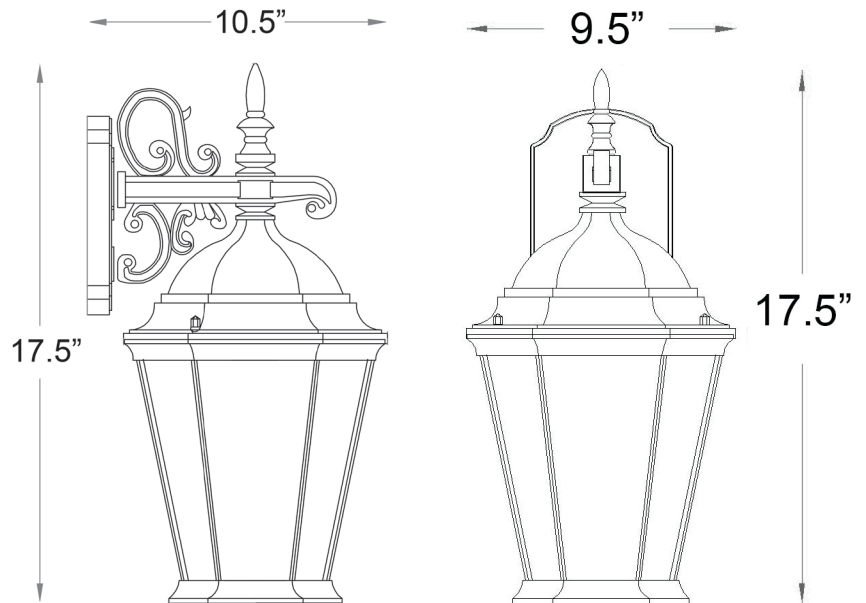


5202BW

RICHMOND 1-LIGHT WALL LANTERN



180 Joe Frank Harris Pkwy SE | Building 500 | Suite 550 | Cartersville, GA 30120
 Phone: 866-845-5451 | Fax: 866-816-6165 | Email: service@acclaim-lighting.com | www.acclaim-lighting.com

Description:	Richmond 1-light wall lantern
Finish:	Burl walnut
Dimensions:	9-1/2" W x 17-1/2" H x 10-1/2" ext. Height on center: 4-3/4"
Bulbs:	1-100w medium
Installed Weight:	3.5 lbs.
Certification:	Wet location

Material:	Cast aluminum
Shade:	Glass
Glass:	Clear beveled
Back Plate Dimensions:	4-1/4" x 7"
Chain/Wire:	NA
Additional Finishes:	Matte black