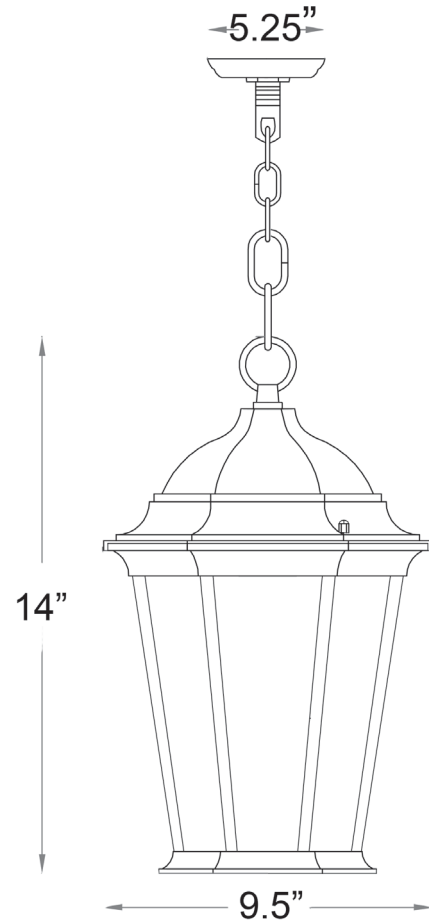


## 5206BK

# RICHMOND 1-LIGHT HANGING LANTERN



<b>Description:</b>	Richmond 1-light hanging lantern
<b>Finish:</b>	Matte black
<b>Dimensions:</b>	9-1/2" W x 14" H
<b>Bulbs:</b>	1-100w medium
<b>Installed Weight:</b>	4 lbs.
<b>Certification:</b>	Damp location

<b>Material:</b>	Cast aluminum
<b>Shade:</b>	Glass
<b>Glass:</b>	Clear beveled
<b>Canopy Dimensions:</b>	5-1/4" dia.
<b>Chain/Wire:</b>	5' chain, 10' wire
<b>Additional Finishes:</b>	Burled walnut