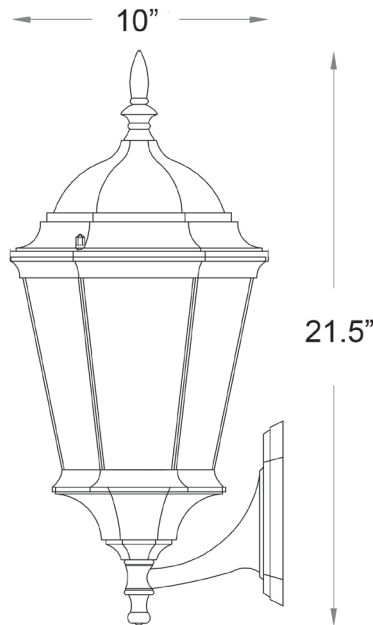


# 5250BK

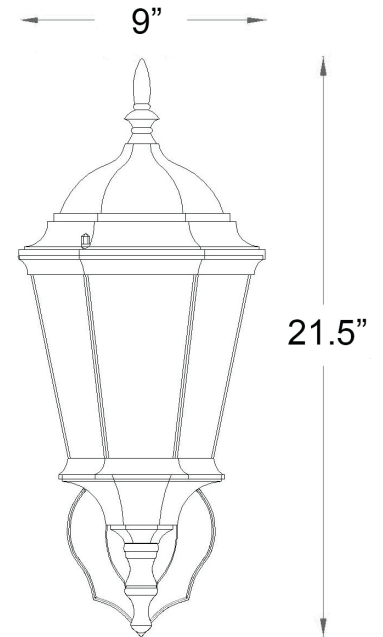
## RICHMOND 1-LIGHT WALL LANTERN



Side View



Front View



**Description:** Richmond 1-light wall lantern

**Finish:** Matte black

**Dimensions:** 9" W x 21-1/2" H x 10" ext.  
 Height on center: 16-1/2"

**Bulbs:** 1-100w medium

**Installed Weight:** 3.5 lbs.

**Certification:** Wet location / ETL

**Material:** Cast aluminum and glass

**Shade:** Glass

**Glass:** Clear beveled

**Back Plate Dimensions:** 4-1/4" x 7-1/4"

**Chain/Wire:** NA

**Additional Finishes:** Burlled walnut