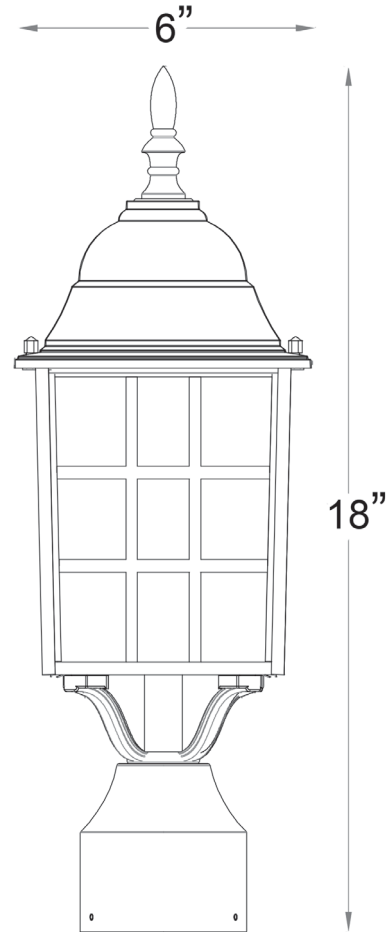


5307TW

NAUTICA 1-LIGHT POST LANTERN



Description: Nautica 1-light post lantern

Finish: Textured white

Dimensions: 6" W x 18" H

Bulbs: 1-100w med.

Installed Weight: 2 lbs.

Certification: Wet location

Material: Cast aluminum

Shade: Glass

Glass: Acid etched

Post Dimensions: 3" dia. post fitter

Chain/Wire: NA

Additional Finishes: NA