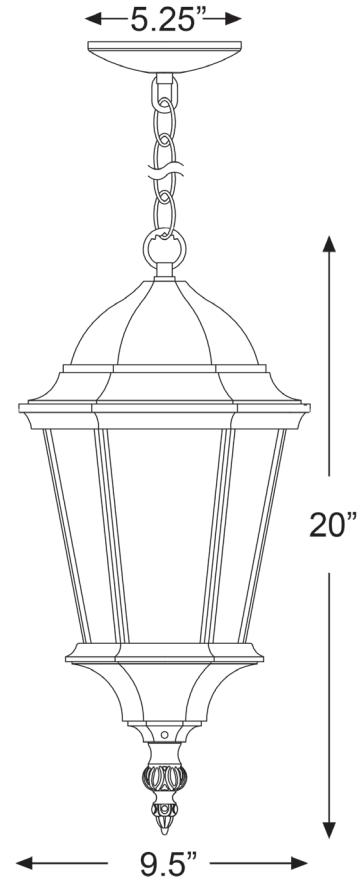


5516BK

TELFAIR 2-LIGHT HANGING LANTERN



Description:	Telfair 2-light hanging lantern
Finish:	Matte black
Dimensions:	9-1/2" W x 20" H
Bulbs:	2-60w cand.
Installed Weight:	5 lbs.
Certification:	Damp location / c UL

Material:	Cast aluminum
Shade:	Glass
Glass:	Hammered water
Canopy Dimensions:	5-1/4" dia.
Chain/Wire:	5' chain, 10' wire
Additional Finishes:	Black coral