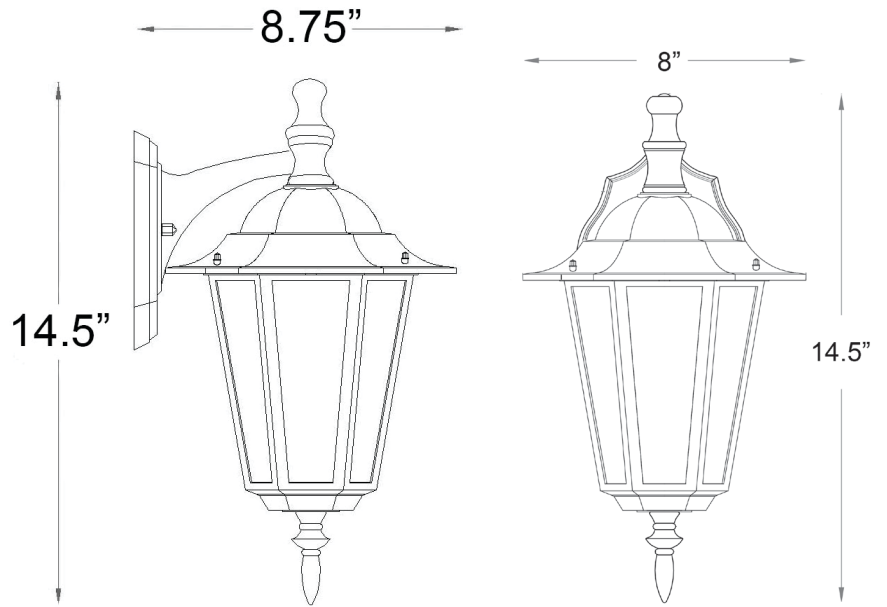


# 6102BK

## CAMELOT 1-LIGHT WALL LANTERN



|                          |  |
|--------------------------|--|
| <b>Description:</b>      | Camelot 1-light wall lantern                           |
| <b>Finish:</b>           | Matte black  |
| <b>Dimensions:</b>       | 8" W x 14-1/2" H x 8-3/4" ext.<br>Height on center: 3" |
| <b>Bulbs:</b>            | 1-60w Med.   |
| <b>Installed Weight:</b> | 2 lbs  |
| <b>Certification:</b>    | Wet location / c UL                                    |

|                               |                         |
|-------------------------------|-------------------------|
| <b>Material:</b>              | Cast aluminum and glass |
| <b>Shade:</b>                 | Glass                   |
| <b>Glass:</b>                 | Clear beveled           |
| <b>Back Plate Dimensions:</b> | 4-1/2" x 6"             |
| <b>Chain/Wire:</b>            | NA                      |
| <b>Additional Finishes:</b>   | Architectural bronze    |