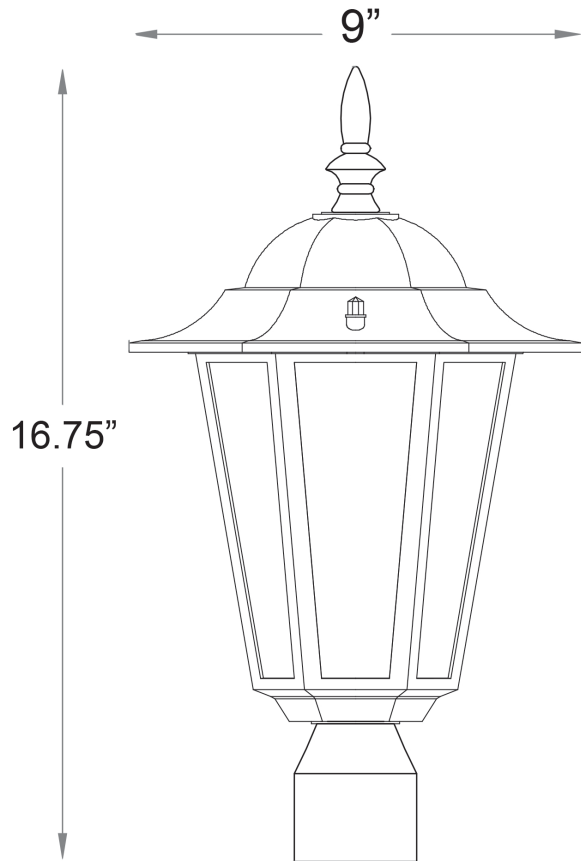


6117TW

CAMELOT 1-LIGHT POST MOUNT



Description: Camelot 1-light post mount

Finish: Textured white

Dimensions: 9" W x 16-3/4" H

Bulbs: 1-100w Med.

Installed Weight: 2 lbs

Certification: Wet location

Material: Cast aluminum

Shade: Glass

Glass: Clear beveled

Post Dimensions: 3" dia. post fitter

Chain/Wire: NA

Additional Finishes: Matte black