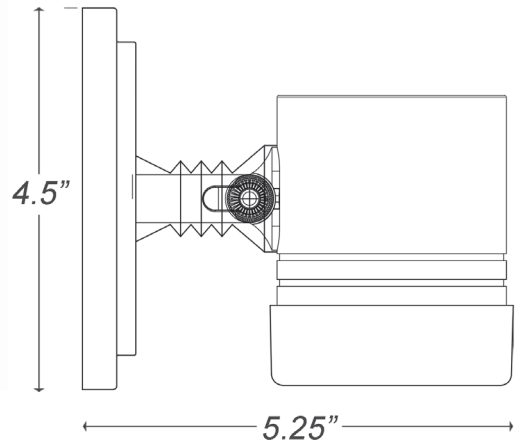
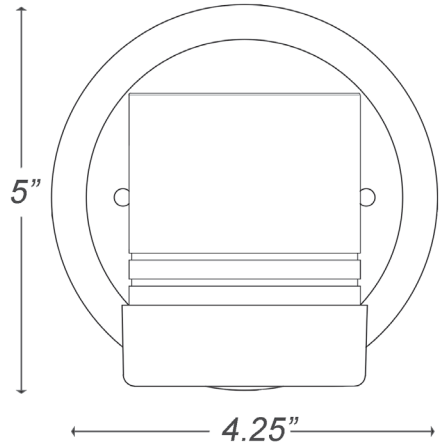


7690ABZ

MR16 CYLINDER 1-LIGHT WALL LANTERN



Description:	MR16 Cylinder 1-light wall lantern
Finish:	Architectural bronze
Dimensions:	4-1/4" W x 5" H x 5-1/4" ext. Height on center: 1-3/4"
Bulbs:	1-Q50MR16 w/GU10 socket (included)
Installed Weight:	0.9#

Certification:	Wet location / ETL
Material:	Cast aluminum
Glass:	Clear
Back Plate Dimensions:	4-1/2" dia.
Chain/Wire:	NA
Additional Finishes:	NA