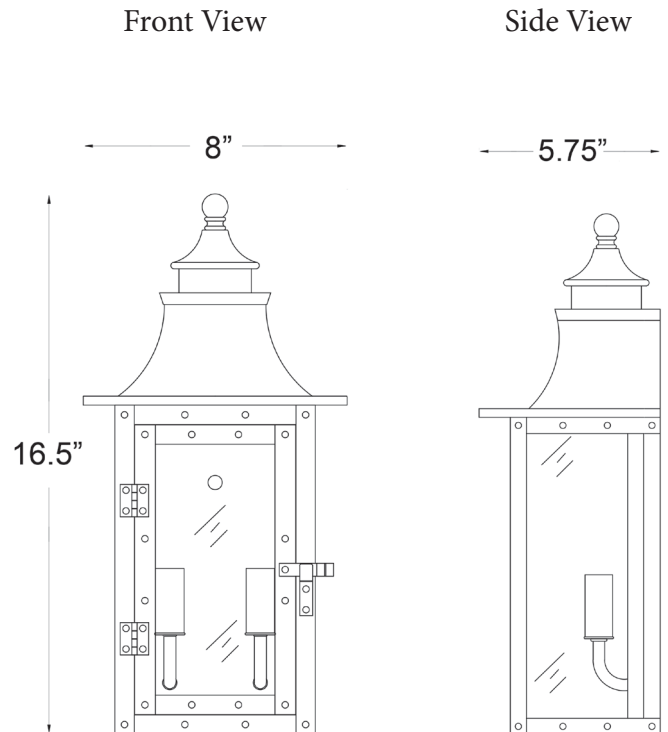


8302CP

ST. CHARLES 2-LIGHT WALL MOUNT



| | |
|--------------------------|--|
| Description: | St. Charles 2-light Wall Mount |
| Finish: | Copper Patina |
| Dimensions: | 8" W x 16-1/2" H x 5-3/4" ext. Height on Center: 8-1/2" |
| Bulbs: | 2-60w Cand. |
| Installed Weight: | 3-1/2" lbs. |
| Certification: | Wet Location |

| | |
|-------------------------------|------------------|
| Material: | Copper and Glass |
| Shade: | Glass |
| Glass: | Clear |
| Back Plate Dimensions: | 5-3/4" x 10-1/4" |
| Chain/Wire: | NA |
| Additional Finishes: | Aged brass |