

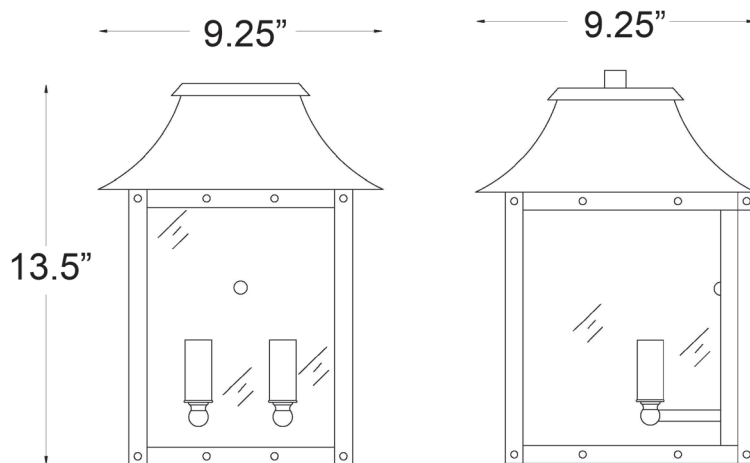
8414AB

MANCHESTER 2-LIGHT WALL LANTERN



Front View

Side View



Description:	Manchester 2-Light Wall Lantern
Finish:	Aged Brass
Dimensions:	9-1/4" W x 13-1/2" H x 9-1/4" ext. Height on Center: 6-1/4"
Bulbs:	2-60w Cand.
Installed Weight:	5 lbs.
Certification:	cUL / wet location

Material:	Aged Brass and Glass
Shades:	NA
Glass:	Clear
Back Plate Dimensions:	7-1/4" x 9"
Chain/Wire:	NA
Additional Finishes:	Copper Patina