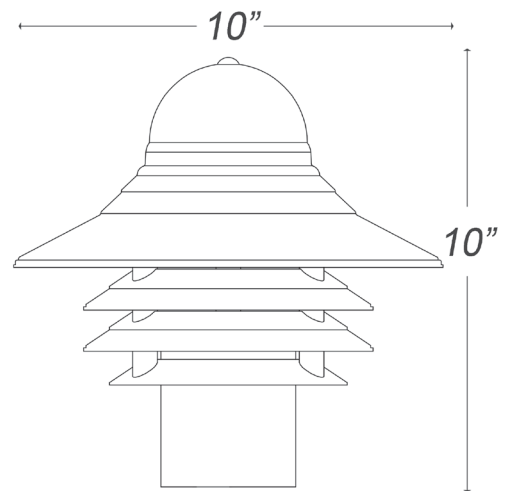


87BK

MARINER 1-LIGHT POST LANTERN



Description:	Mariner 1-light post lantern
Finish:	Matte black
Dimensions:	10" W x 10" H
Bulbs:	1-60w medium
Installed Weight:	1.3 lbs.
Certification:	Wet location

Material:	Durabrite plastic
Shade:	Ribbed acrylic
Glass:	NA
Post Dimensions:	3" dia. post fitter
Chain/Wire:	NA
Additional Finishes:	Architectural bronze and textured white