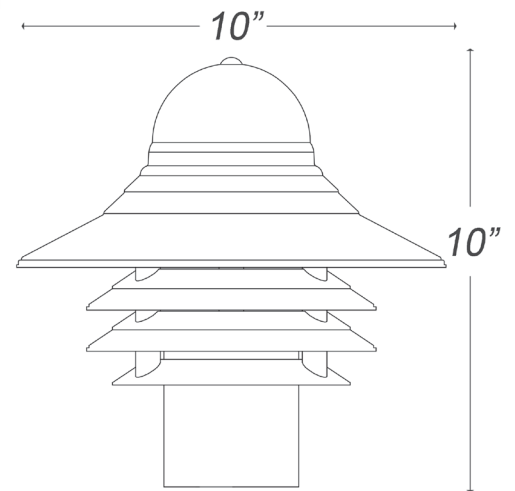


# 87TW

## MARINER 1-LIGHT POST LANTERN



**Description:** Mariner 1-light post lantern

**Finish:** Textured white

**Dimensions:** 10" W x 10" H

**Bulbs:** 1-60w medium

**Installed Weight:** 1.3 lbs.

**Certification:** Wet location

**Material:** Durabrite plastic

**Shade:** Ribbed acrylic

**Glass:** NA

**Post Dimensions:** 3" dia. post fitter

**Chain/Wire:** NA

**Additional Finishes:** Architectural bronze  
and matte black