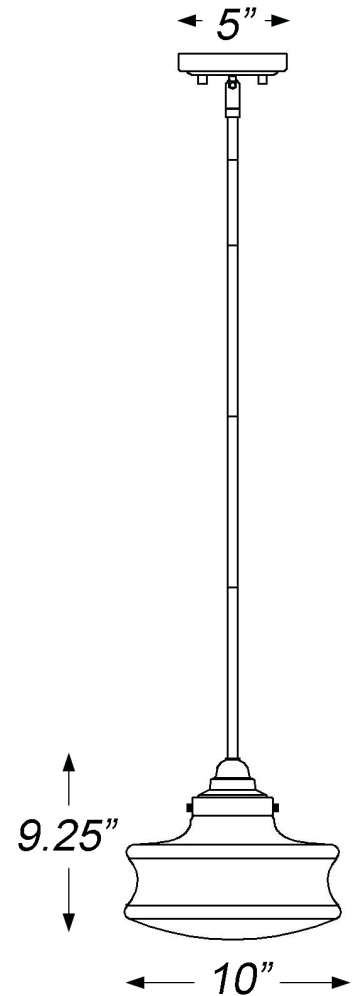
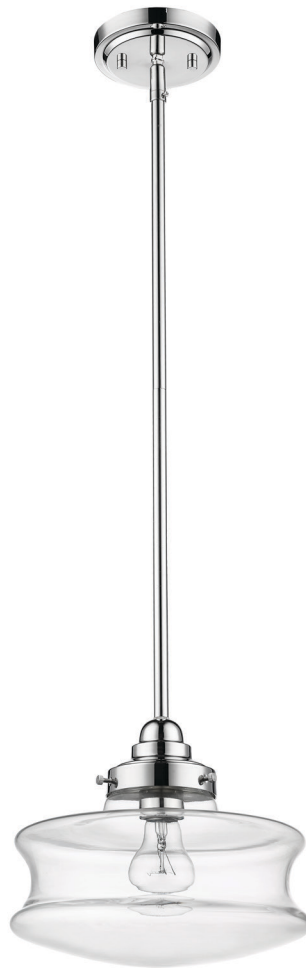
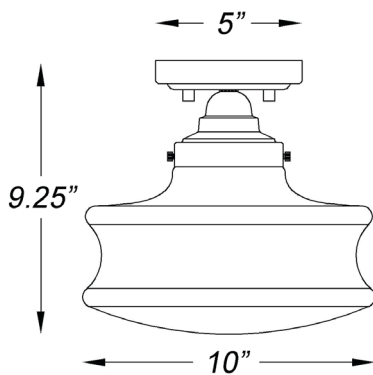


IN20070PN

KEAL 1-LIGHT PENDANT

can convert to flushmount



Description:	Keal 1-light pendant
Finish:	Polished nickel
Dimensions:	10" dia. x 9.25" H
Bulbs:	1-60w Med.
Certification:	UL / damp location
Material:	Steel

Shade:	Glass
Glass:	Clear
Canopy Dimensions:	5" dia.
Chain/Wire:	12' wire
Stems:	3-12", 1-6", 1-3"
Additional Finishes:	Antique Brass