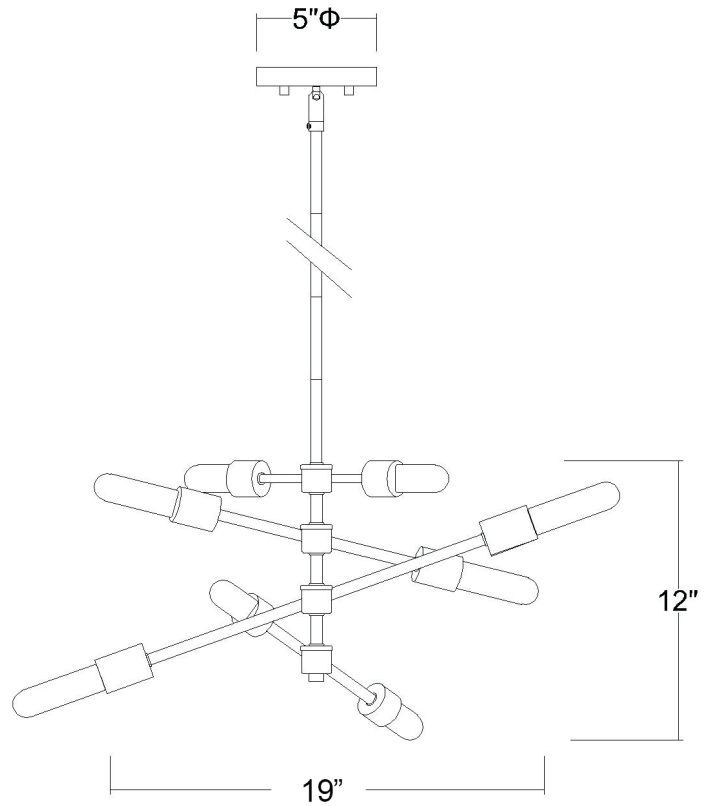


# IN21160SN

## CALIX 8-LIGHT PENDANT



**Description:** Calix 8-Light Pendant

**Finish:** Satin Nickel

**Dimensions:** 19" D x 12" H

**Bulbs:** 8-60W Med.

**Installed Weight:** 8.75 lbs.

**Certification:** cUL / dry location

*\*dimensions do not include bulb*

**Material:** Steel

**Shades:** NA

**Glass:** NA

**Canopy Dimensions:** 5" Dia.

**Chain/Wire:** 12' Wire

**Stems:** 3-12", 1-6", 1-3"

**Additional Finishes:** Oil-rubbed bronze