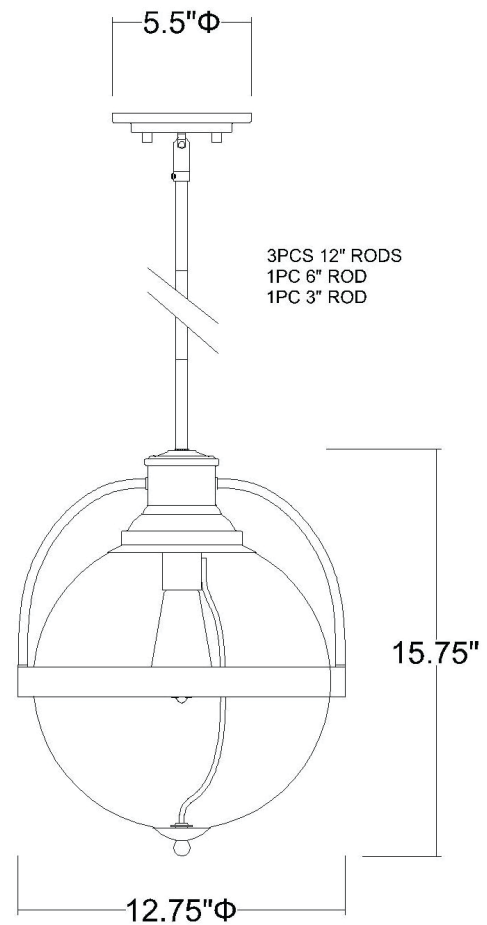


# IN21176ORB

## KASSIAN 1-LIGHT PENDANT



**Description:** Kassian 1-Light Pendant

**Finish:** Oil Rubbed Bronze

**Dimensions:** 12-3/4" Dia. x 15-3/4" H

**Bulbs:** 1-100W Med.

**Installed Weight:** 6 lbs.

**Certification:** cUL / dry location

**Material:** Steel and glass

**Shades:** Glass

**Glass:** Clear

**Canopy Dimensions:** 5-1/2" Dia.

**Chain/Wire:** 12' Wire

**Stems:** 3-12", 1-6", 1-3"

**Additional Finishes:** Satin nickel