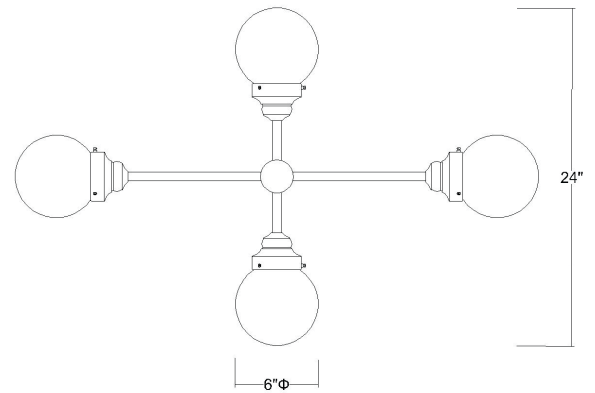
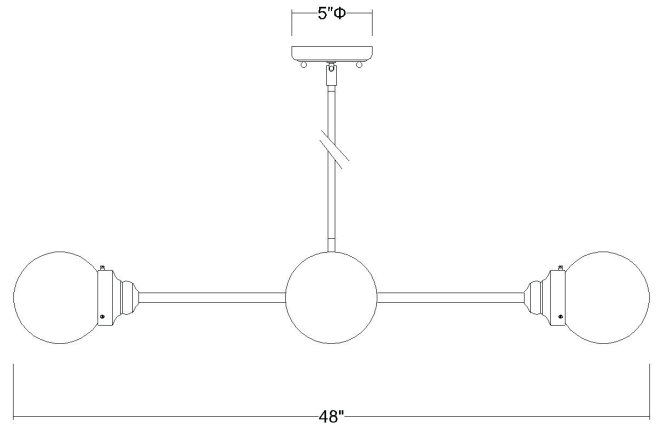


IN21222PN

PORTSMITH 4-LIGHT PENDANT



Description: Portsmouth 4-Light Pendant

Finish: Polished Nickel

Dimensions: 48" W x 24" L x 6" H

Bulbs: 4-60W Med.

Installed Weight: 5.5 lbs.

Certification: cETL / dry location

Material: Steel and glass

Shades: NA

Glass: Clear

Canopy Dimensions: 5" Dia.

Chain/Wire: 12' Wire

Stems: 3-12", 1-6", 1-3"

Additional Finishes: Raw brass