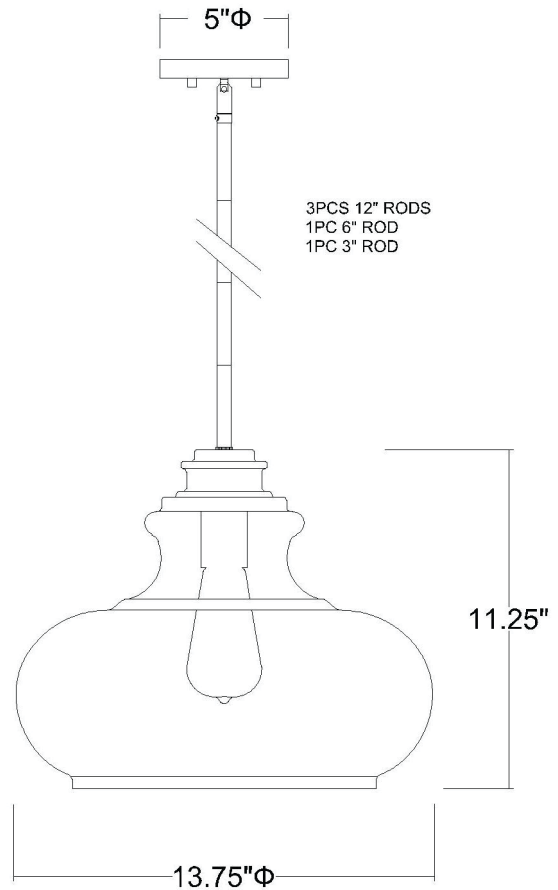


IN21251ORB

TORREL 1-LIGHT PENDANT



Description:	Torrel-Light Pendant
Finish:	Oil Rubbed Bronze
Dimensions:	13-3/4" Dia. x 11-1/4" H
Bulbs:	1-100W Med.
Installed Weight:	6.15 lbs.
Certification:	cUL / dry location

Material:	Steel and glass
Shades:	Glass
Glass:	Clear
Canopy Dimensions:	5" Dia.
Chain/Wire:	12' Wire
Stems:	3-12", 1-6", 1-3"
Additional Finishes:	Satin nickel and matte black