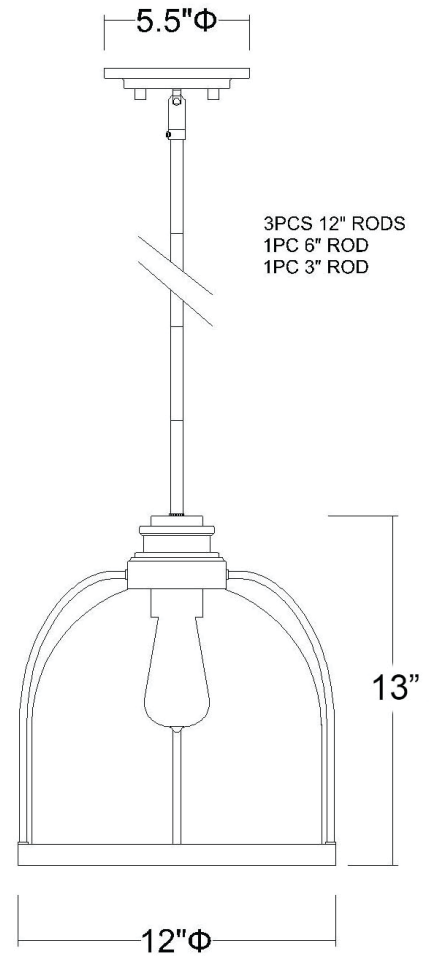


IN21300ORB

STANTON 1-LIGHT PENDANT



Description: Stanton 1-Light Pendant

Finish: Oil Rubbed Bronze

Dimensions: 12" Dia. x 13" H

Bulbs: 1-100W Med.

Installed Weight: 6.6 lbs.

Certification: cUL / dry location

Material: Steel and glass

Shades: Glass

Glass: Clear

Canopy Dimensions: 5-1/2" Dia.

Chain/Wire: 12' Wire

Stems: 3-12", 1-6", 1-3"

Additional Finishes: Matte black,
 polished nickel