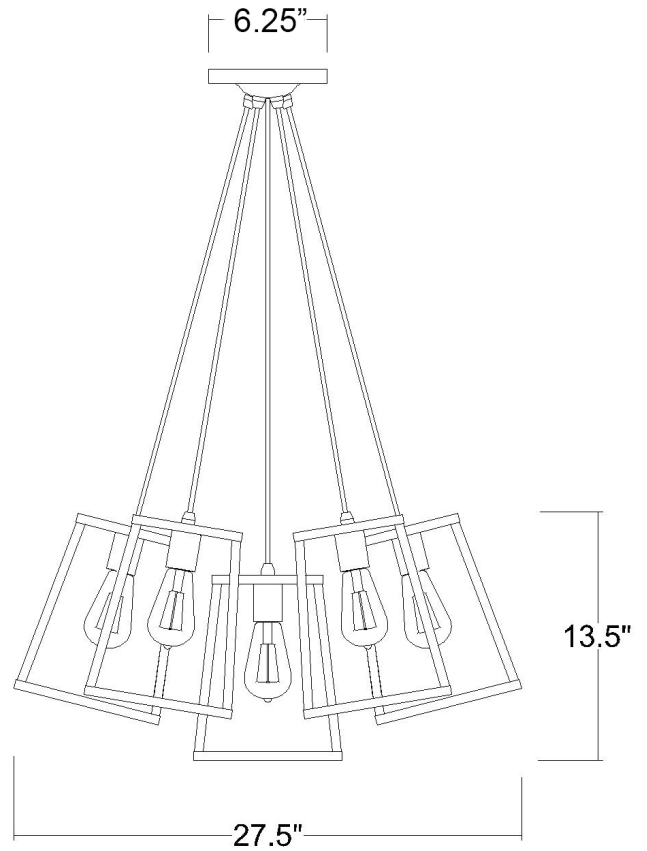


IN31383ORB

TIBERTON 5-LIGHT PENDANT



Description:	Tiberton 5-Light Pendant
Finish:	Oil Rubbed Bronze
Dimensions:	27-1/2" W x 16" D x 13-1/2" H
Bulbs:	5-60W Med.
Installed Weight:	11.7 lbs.
Certification:	cETL / damp location

Material:	Steel
Shades:	NA
Glass:	NA
Canopy Dimensions:	6-1/4" Dia.
Chain/Wire:	5 - 12' Wire
Additional Finishes:	NA