

IN40067

INSTALLATION INSTRUCTIONS

Please read carefully and save these instructions, as you may need them at a later date.

CAUTION

WARNING: Risk of Fire. Consult a qualified electrician to ensure correct branch circuit conductor. Min 90°C supply conductors.

Turn off the main power at the circuit breaker before installing the fixture, in order to prevent possible shock.

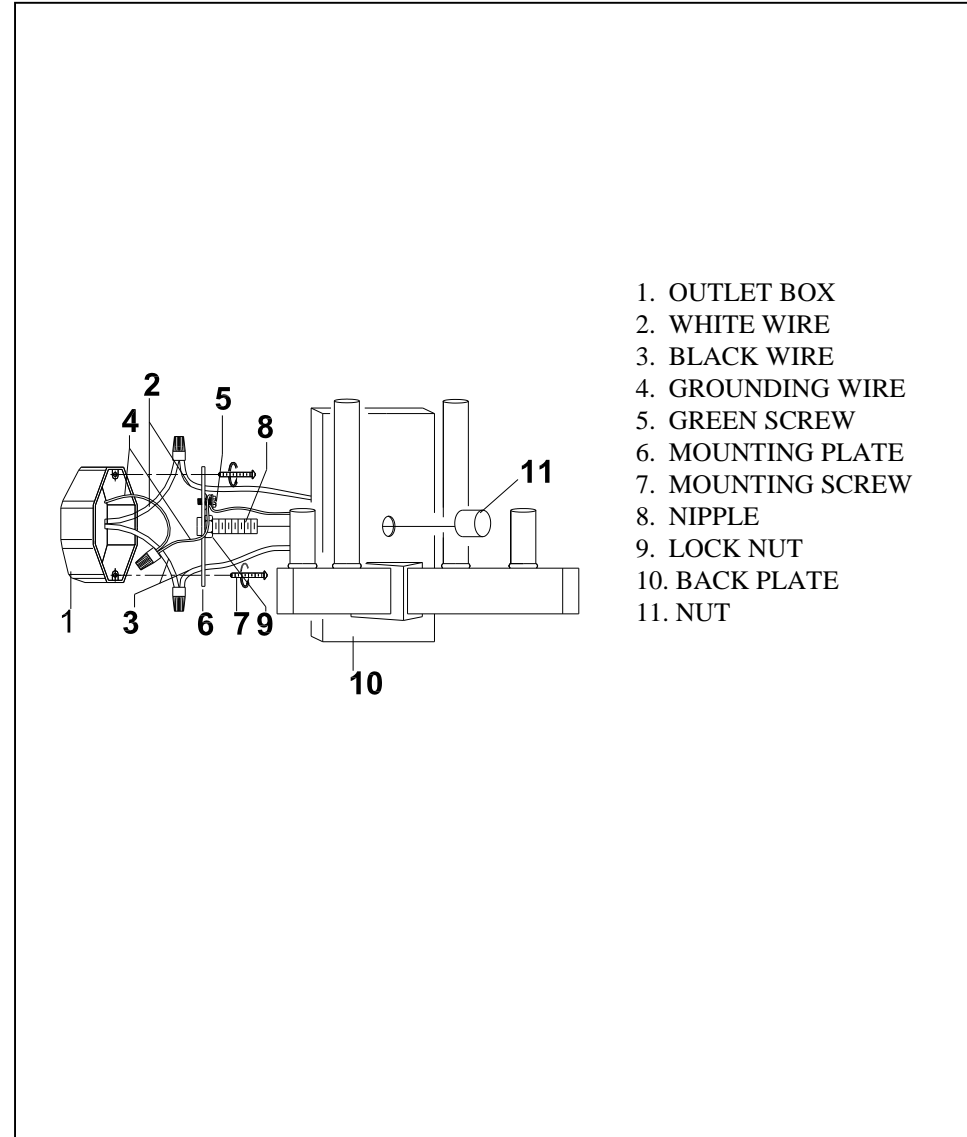
GENERAL

All electrical connections must be in accordance with local and National Electrical Code (N.E.C.) standards. If you are unfamiliar with proper electrical wiring connections obtain the services of a qualified electrician.

Remove the fixture and the mounting package from the box and make sure that no parts are missing by referencing the illustrations on the installation instructions.

ASSEMBLY AND INSTALLATION

1. Thread the nipple (8) to the mounting plate (6) with lock nut (9).
2. Secure the mounting plate (6) with mounting screws (7) to the outlet box (1).
3. Pull out the outlet wire and ground wire from the outlet box (1). Make wire connections
 - Ribbed/White wire (w/o marking) from light to White wire (2) from power source.
 - Smooth/Black wire (w/o marking) from light to Black wire (3) from power source.
 - Loop the ground wire to mounting plate (6) with a green screw (5).
4. Attach the back plate (10) to the mounting plate (6) by inserting the nipple (8), then secure with nut (11).
5. Install bulbs: (bulbs not included)
(Do not exceed the maximum capacity that recommended on the socket).



INSTALLATION IS NOW COMPLETED