

## IN61104

# INSTALLATION INSTRUCTIONS

Please read carefully and save these instructions, as you may need them at a later date.

### CAUTION

**WARNING:** Risk of Fire. Consult a qualified electrician to ensure correct branch circuit conductor. Min 90°C supply conductors.

Turn off the main power at the circuit breaker before installing the fixture, in order to prevent possible shock.

### GENERAL

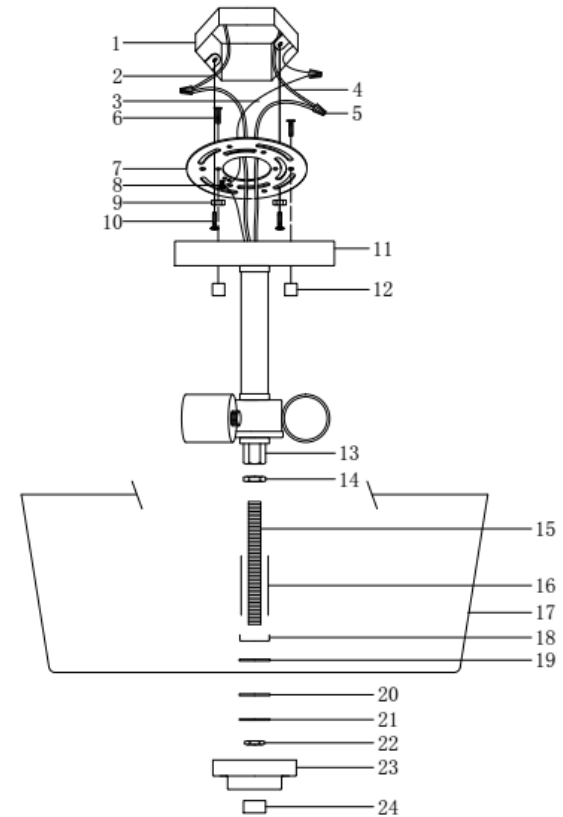
All electrical connections must be in accordance with local and National Electrical Code (N.E.C.) standards. If you are unfamiliar with proper electrical wiring connections obtain the services of a qualified electrician.

Remove the fixture and the mounting package from the box and make sure that no parts are missing by referencing the illustrations on the installation instructions.

## ASSEMBLY AND INSTALLATION

1. Thread the hex nut (14) onto nipple (15) and thread the nipple (15) into the coupling (13). Secure with the hex nut (14).
2. Place tube (16), check ring (18), plastic washer (19), and glass shade (17) onto nipple (15). Then place plastic washer (20) and iron washer (21) onto nipple (15) and secure with hex nut (22). Place cap (23) onto the nipple (15) and secure with the finial (24).
3. Install bulbs: (bulbs not included)  
(Do not exceed the maximum capacity recommended on the sockets).
4. Thread two machine screws (6) to the mounting plate (7) and secure with the hex nut (9).
5. Secure the mounting plate (7) with mounting screw (10) to the outlet box (1).
6. Pull out the outlet wire and ground wire from the outlet box (1). Make wire connections.
  - Ribbed wire (w/o marking) from light to White wire (2) from power source.
  - Smooth wire (w/o marking) from light to Black wire (4) from power source.
  - Loop the ground wire (3) to mounting plate (7) with a ground screw (8).
7. Attach the fixture canopy (11) against the outlet box (1), secure with the ball nut (12).

INSTALLATION IS NOW COMPLETE



- |                    |                    |
|--------------------|--------------------|
| 1. OUTLET BOX      | 13. COUPLING       |
| 2. WHITE WIRE      | 14. HEX NUT        |
| 3. GROUND WIRE     | 15. NIPPLE         |
| 4. BLACK WIRE      | 16. TUBE           |
| 5. WIRE CONNECTOR  | 17. GLASS SHADE    |
| 6. MACHINE SCREW   | 18. CHECK RING     |
| 7. MOUNTING PLATE  | 19. PLASTIC WASHER |
| 8. GROUND SCREW    | 20. PLASTIC WAHSER |
| 9. HEX NUT         | 21. IRON WASHER    |
| 10. MOUNTING SCREW | 22. HEX NUT        |
| 11. CANOPY         | 23. CAP            |
| 12. BALL NUT       | 24. FINIAL         |