



by Acclaim Lighting

1500 Cherokee Parkway, Suite 100, Acworth, GA 30102
P: 866-845-5451 • F: 866-816-6165
E: service@acclaim-lighting.com • www.acclaim-lighting.com

TF70091

INSTALLATION INSTRUCTIONS

Please read carefully and save these instructions, as you may need them at a later date.

CAUTION

WARNING: Risk of Fire. Consult a qualified electrician to ensure correct branch circuit conductor. Min 90°C supply conductors.

Turn off the main power at the circuit breaker before installing the fixture, in order to prevent possible shock.

GENERAL

All electrical connections must be in accordance with local and National Electrical Code (N.E.C.) standards. If you are unfamiliar with proper electrical wiring connections obtain the services of a qualified electrician.

Remove the fixture and the mounting package from the box and make sure that no parts are missing by referencing the illustrations on the installation instructions.

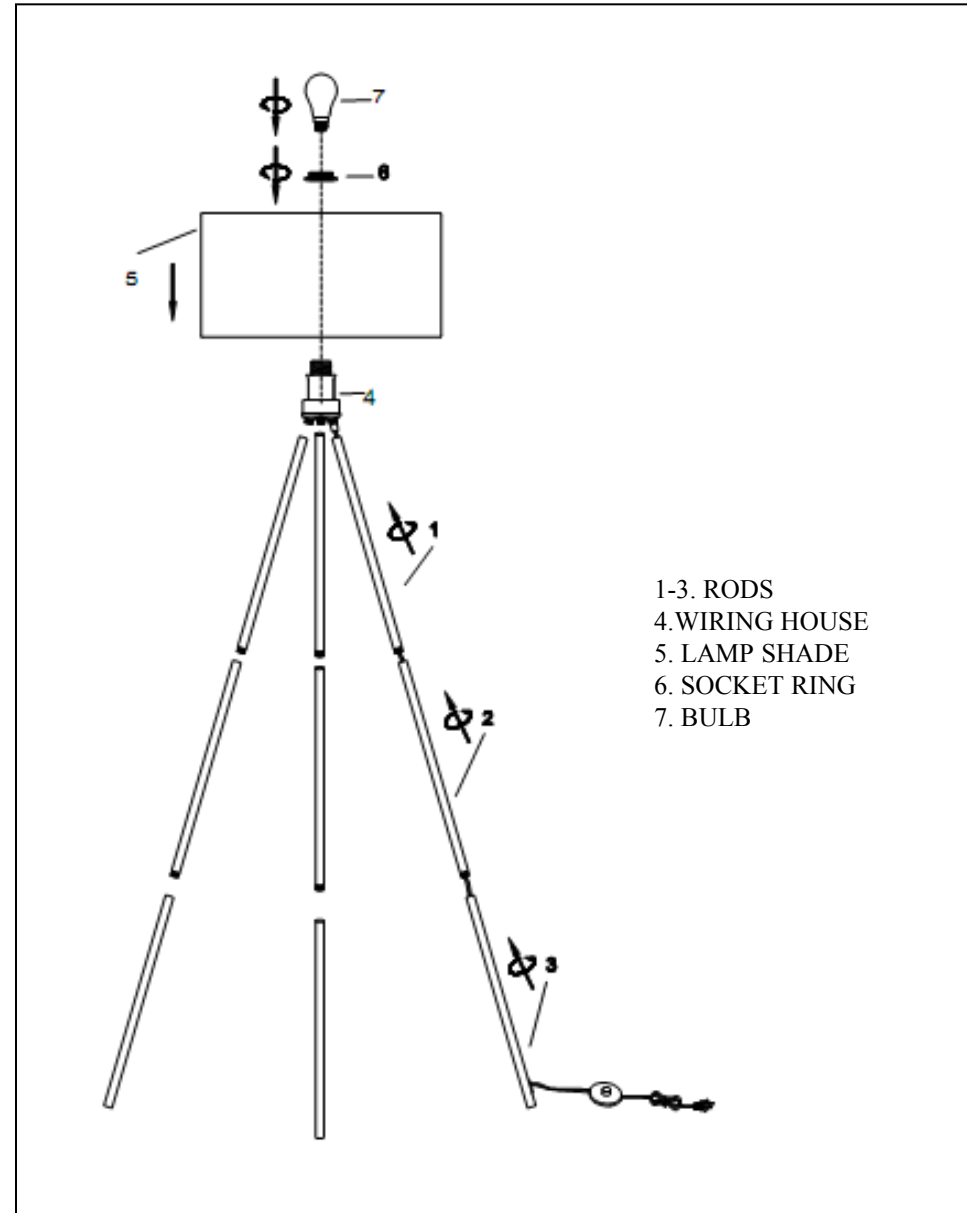
ASSEMBLY AND INSTALLATION

1. Assemble rods(1-3) together, secure them to the wiring house(4).
2. Put the shade (5) over the socket, secure it with the socket ring(6)
3. Install the bulb (7, not included) into the socket

Do not exceed maximum specified wattage - Max.60W

DO NOT USE BARE HAND TO TOUCH THE BULB.

INSTALLATION IS NOW COMPLETE



- 1-3. RODS
- 4. WIRING HOUSE
- 5. LAMP SHADE
- 6. SOCKET RING
- 7. BULB