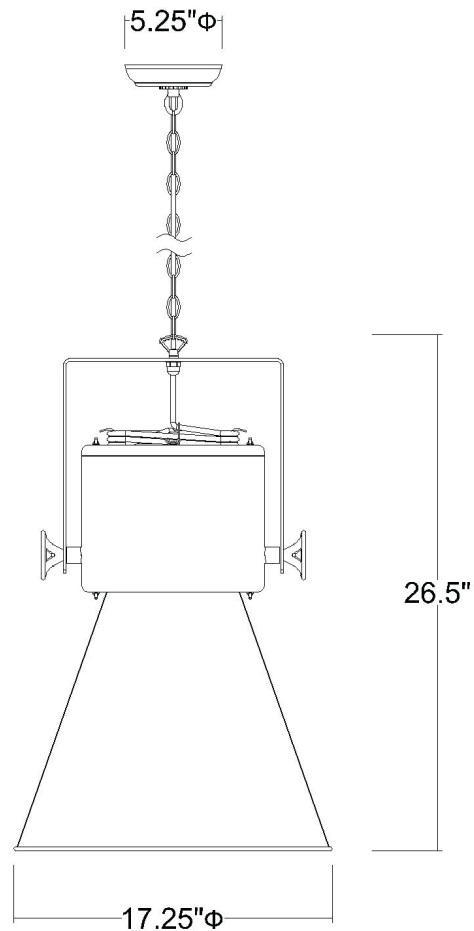


TP10025BK CREW 1-LIGHT PENDANT



| | |
|--------------------------|--------------------------|
| Description: | Crew 1-Light Pendant |
| Finish: | Matte black |
| Dimensions: | 17-1/4" Dia. x 26-1/2" H |
| Bulbs: | 1-100W Med. |
| Installed Weight: | 10.6 lbs. |
| Certification: | ETL / dry location |

| | |
|-----------------------------|--------------------|
| Material: | Steel |
| Shades: | Steel |
| Glass: | NA |
| Canopy Dimensions: | 5-1/4" Dia. |
| Chain/Wire: | 5' Chain, 12' Wire |
| Additional Finishes: | NA |