



1500 Cherokee Parkway, Suite 100, Acworth, GA 30102
 P: 866-845-5451 • F: 866-816-6165
 E: service@acclaim-lighting.com • www.acclaim-lighting.com

by Acclaim Lighting

TP20060

INSTALLATION INSTRUCTIONS

Please read carefully and save these instructions, as you may need them at a later date.

CAUTION

WARNING: Risk of Fire. Consult a qualified electrician to ensure correct branch circuit conductor. Min 90°C supply conductors.

Turn off the main power at the circuit breaker before installing the fixture, in order to prevent possible shock.

GENERAL

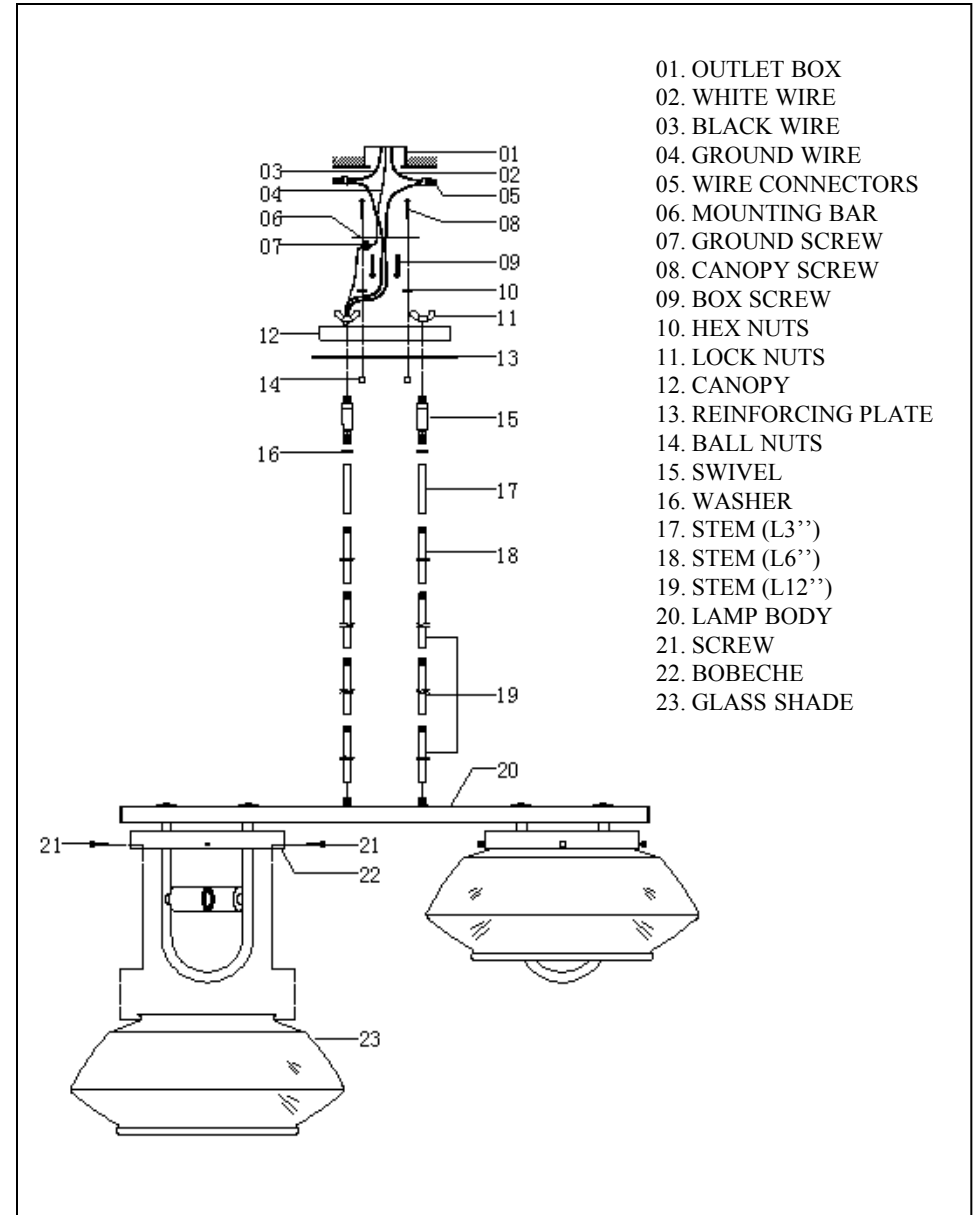
All electrical connections must be in accordance with local and National Electrical Code (N.E.C.) standards. If you are unfamiliar with proper electrical wiring connections obtain the services of a qualified electrician.

Remove the fixture and the mounting package from the box and make sure that no parts are missing by referencing the illustrations on the installation instructions.

ASSEMBLY AND INSTALLATION

- Put reinforcing plate (13) against canopy (12), then put swivels (15) through the holes on canopy (13) and secure with lock nuts (11).
- Choose your desired length of stems (17)(18)(19), and then pass the power supply cord and ground wire through stems (17)(18)(19), swivel (15), canopy (12), and lock nuts (11).
- Connect stems (17)(18)(19) one by one, then attach lower end of stem (19) into lamp body (20) and upper end of stem (17) into swivel (15).
- Thread canopy screws (08) into mounting bar(06) and secure with hex nuts (10).
- Attach mounting bar (06) to outlet box (01) with box screws (09)
- Make wire connection with white wire (02) and black wire (03). Use wire connectors (05) to secure the connections. Secure ground wire (04) and ground wire from the fixture to mounting bar (06) with ground screw (07).
- Attach the canopy(12) against the outlet box(01) and secure with the ball nuts (14).
- Put glass shade (23) into bobèche (22) and secure it with screws (21).
- Install bulbs (not included).

INSTALLATION IS NOW COMPLETED



- 01. OUTLET BOX
- 02. WHITE WIRE
- 03. BLACK WIRE
- 04. GROUND WIRE
- 05. WIRE CONNECTORS
- 06. MOUNTING BAR
- 07. GROUND SCREW
- 08. CANOPY SCREW
- 09. BOX SCREW
- 10. HEX NUTS
- 11. LOCK NUTS
- 12. CANOPY
- 13. REINFORCING PLATE
- 14. BALL NUTS
- 15. SWIVEL
- 16. WASHER
- 17. STEM (L3'')
- 18. STEM (L6'')
- 19. STEM (L12'')
- 20. LAMP BODY
- 21. SCREW
- 22. BOBECHE
- 23. GLASS SHADE